

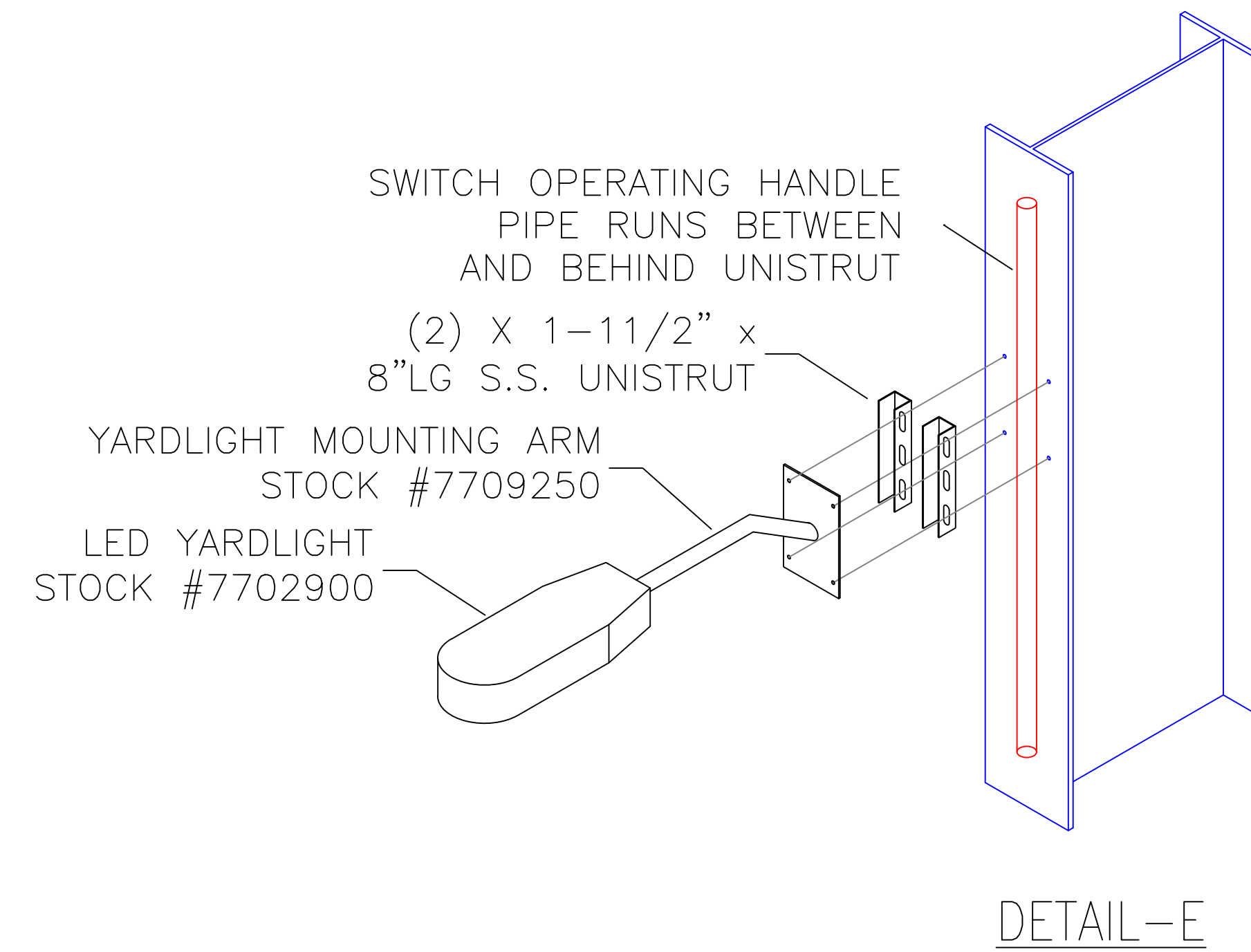
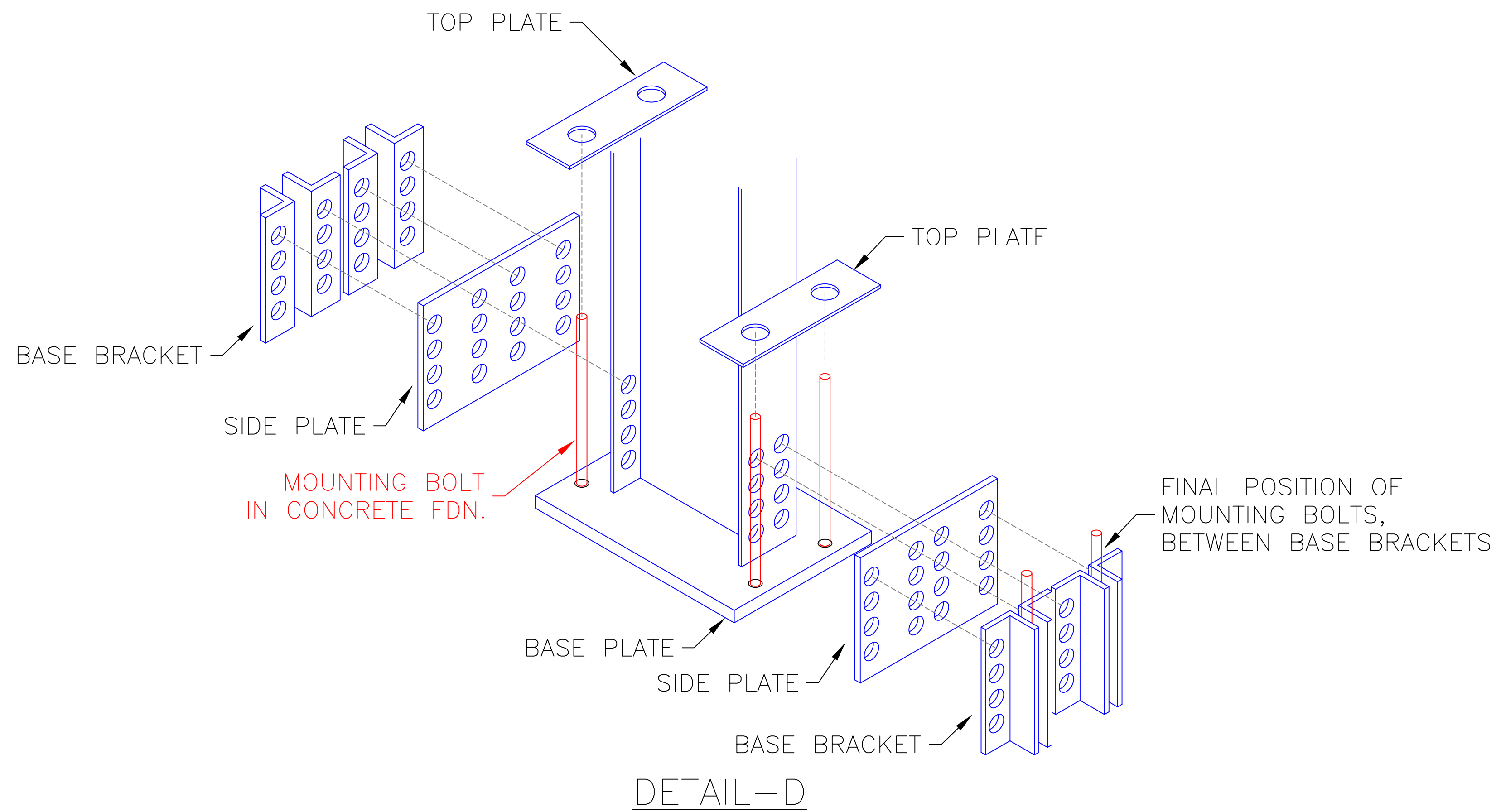
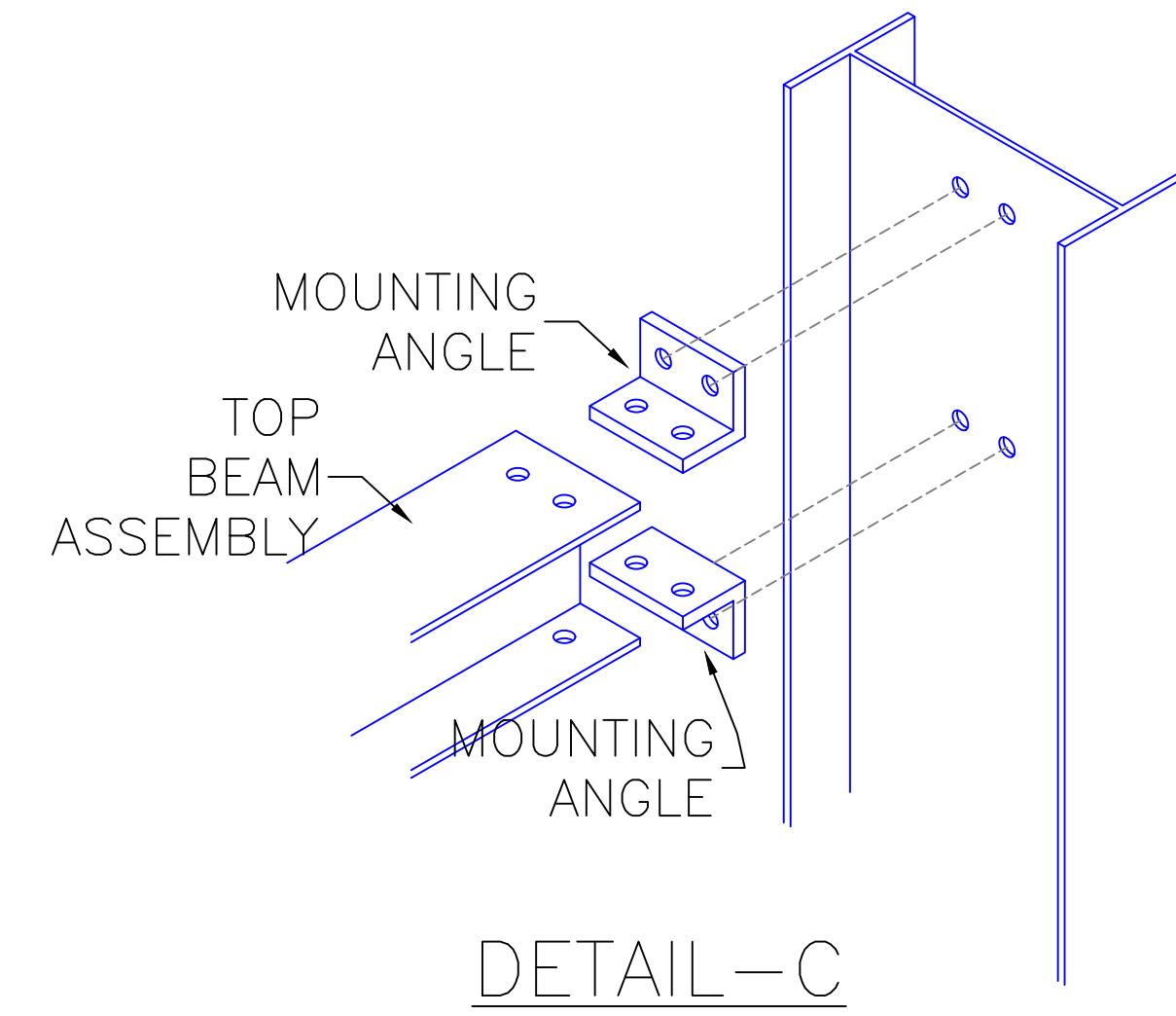
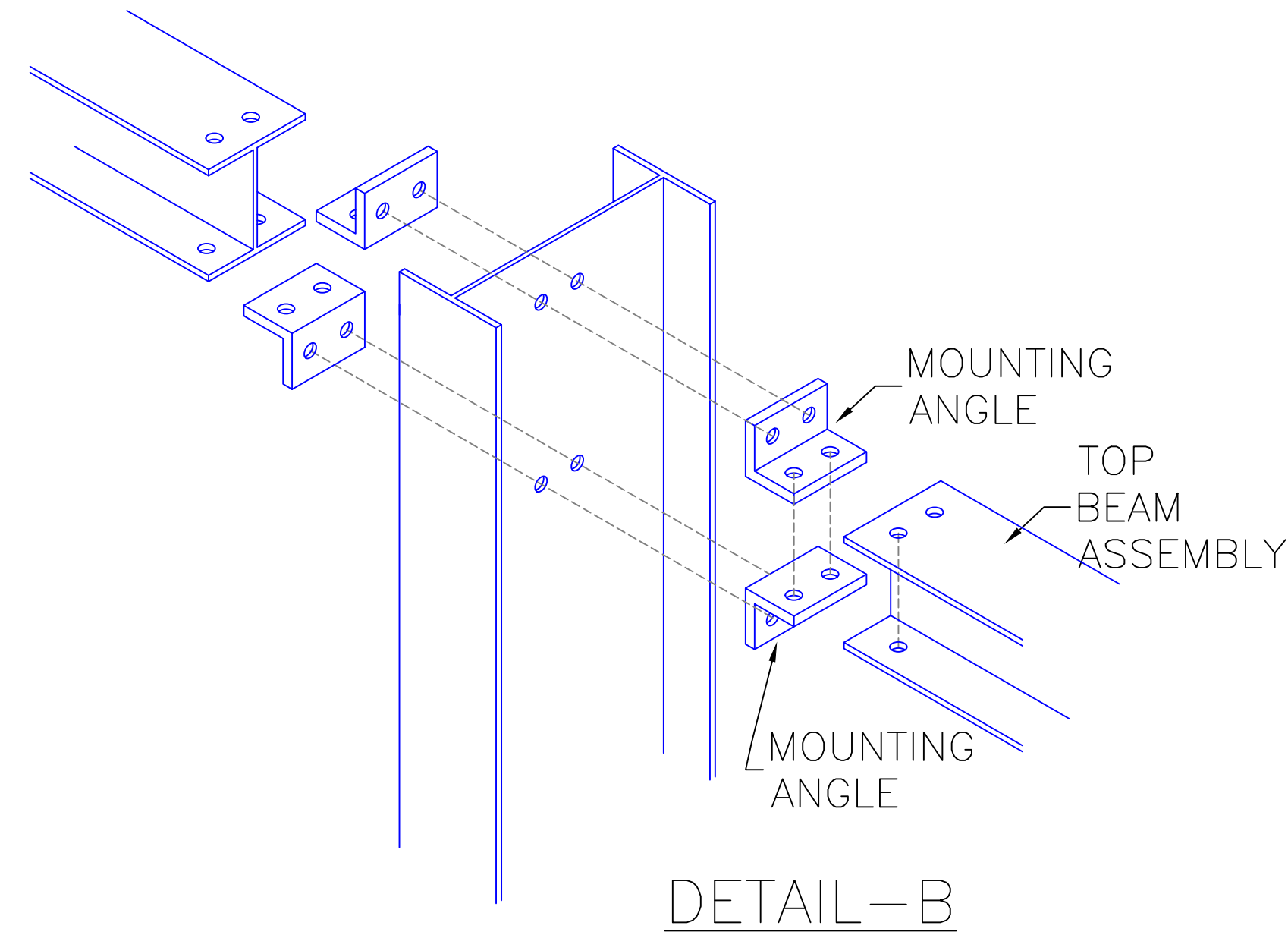
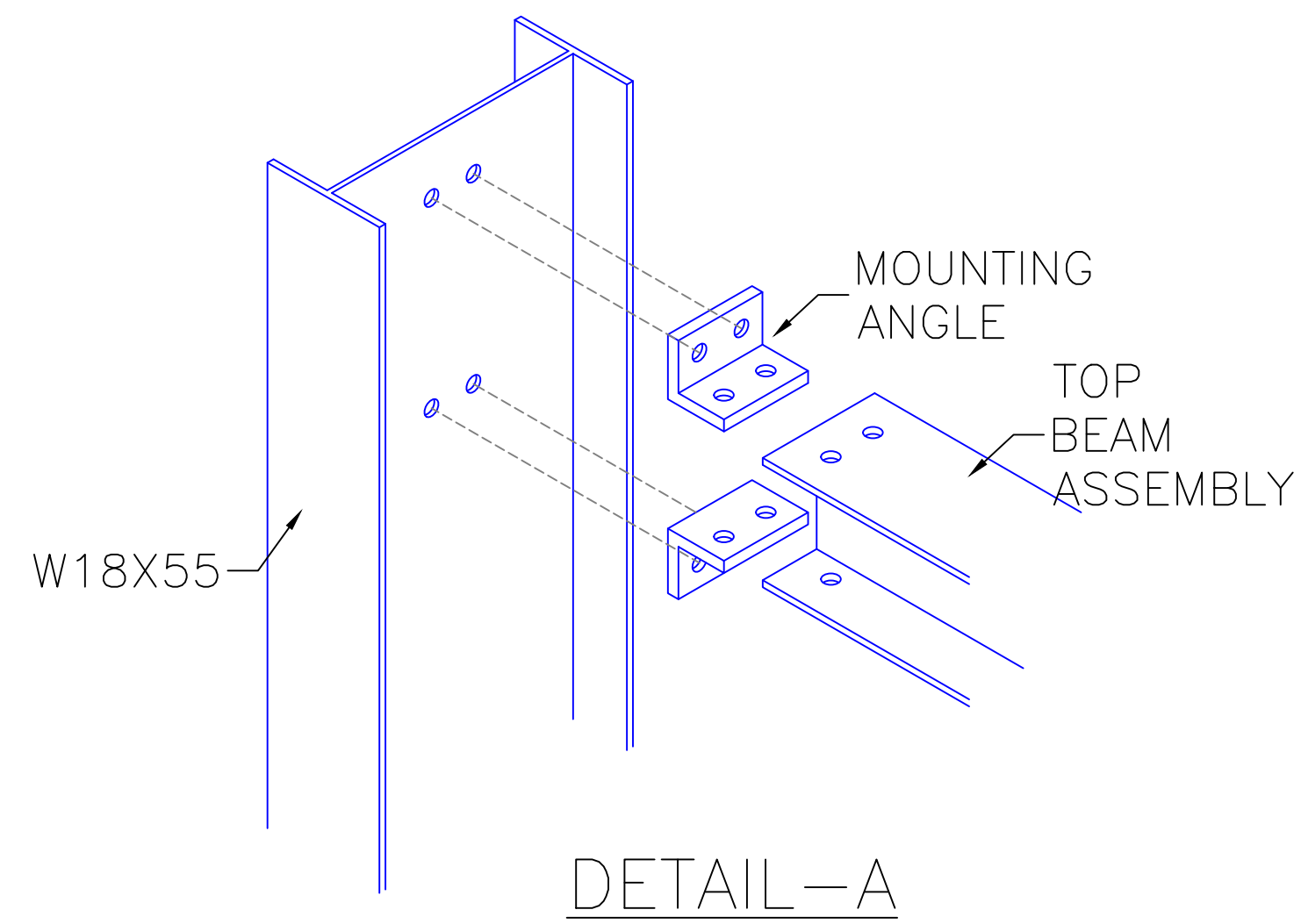
0	ISSUED FOR CONSTRUCTION	12/6/23	BENP	BENP				E5-1	SITE PLAN	DSGN	BENP	2022
REV	REVISIONS	DATE	DRN	DSGN	CKD	APPD			REFERENCE DRAWINGS	DRN	BENP	2022

CLALLAM COUNTY
PUD
 Bringing Energy To Life™

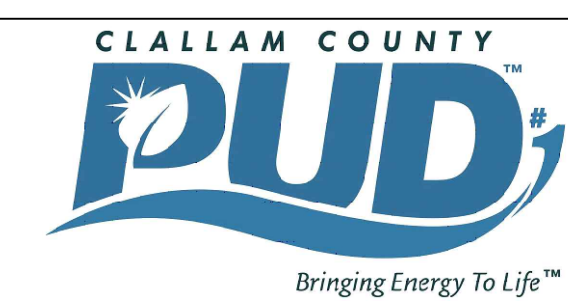
CLALLAM COUNTY PUD
 LIBERTY STATION
 STRUCTURAL STEEL A-FRAME
 EAST(1481) & WEST(1491) DETAILS

JOB NUMBER	REV
21-2316	△
DRAWING NUMBER	
S1-10-1	

SCALE: N.T.S.
 FOR 22x34 DWG ONLY

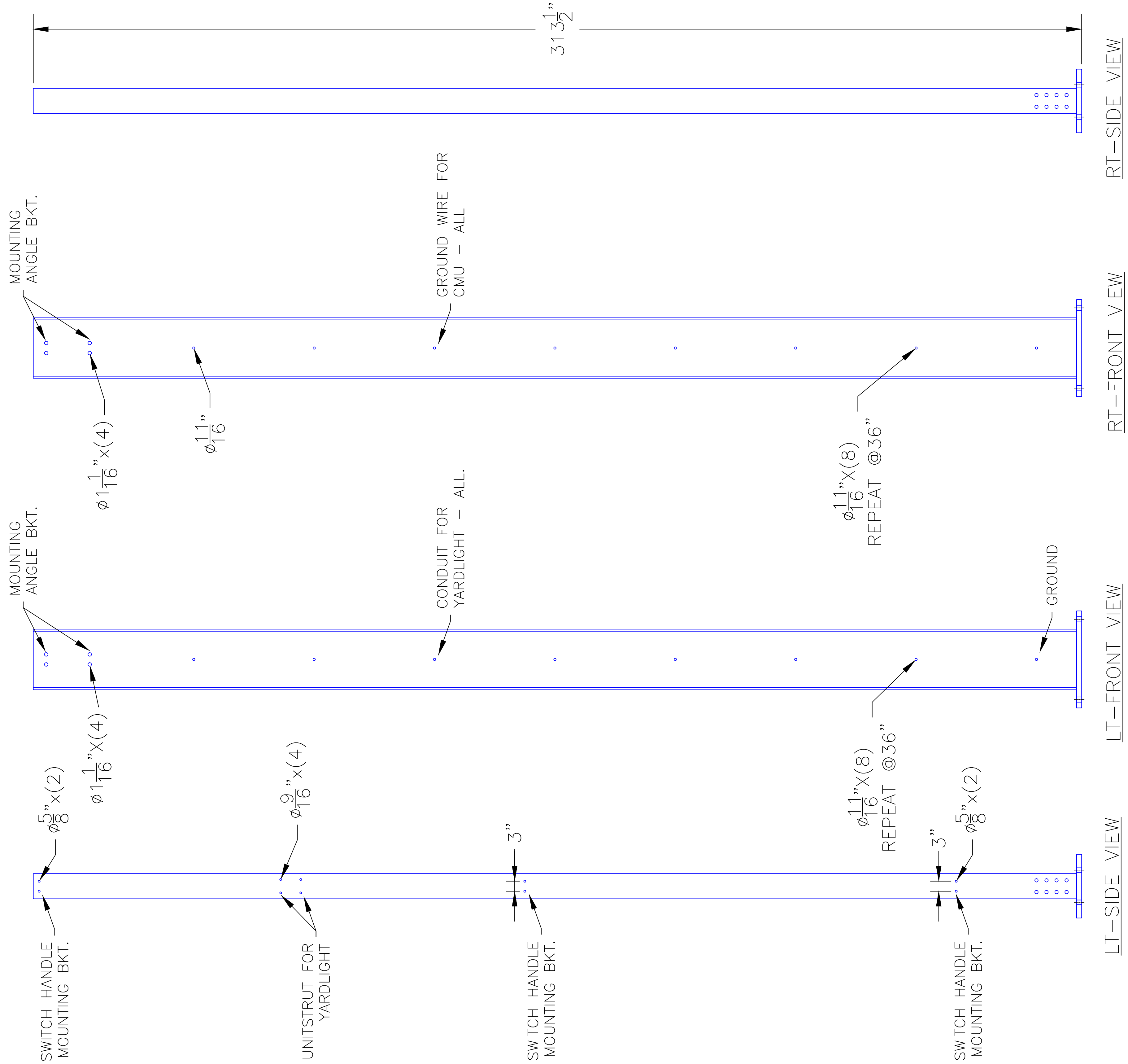


										DSGN	BENP	2022
										DRN	BENP	2022
										CKD		
0	ISSUED FOR CONSTRUCTION	12/6/23	BENP	BENP			E5-1	SITE PLAN	SCALE:	N.T.S.		
REV	REVISIONS	DATE	DRN	DSGN	CKD	APPD		REFERENCE DRAWINGS	FOR 22x34 DWG ONLY			



CLALLAM COUNTY PUD
LIBERTY STATION
STRUCTURAL STEEL
A-FRAME EAST & WEST DETAILS

JOB NUMBER	REV
21-2316	△
DRAWING NUMBER	
S1-10-2	

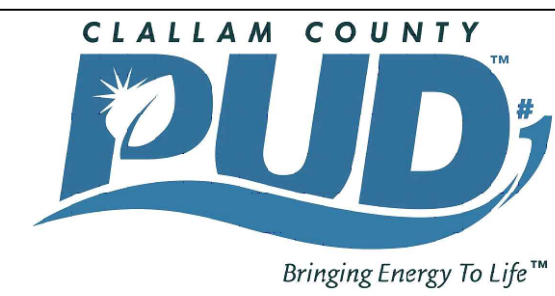


RIGHT LEG

LEFT LEG

A-FRAME WEST
NEW LEGS

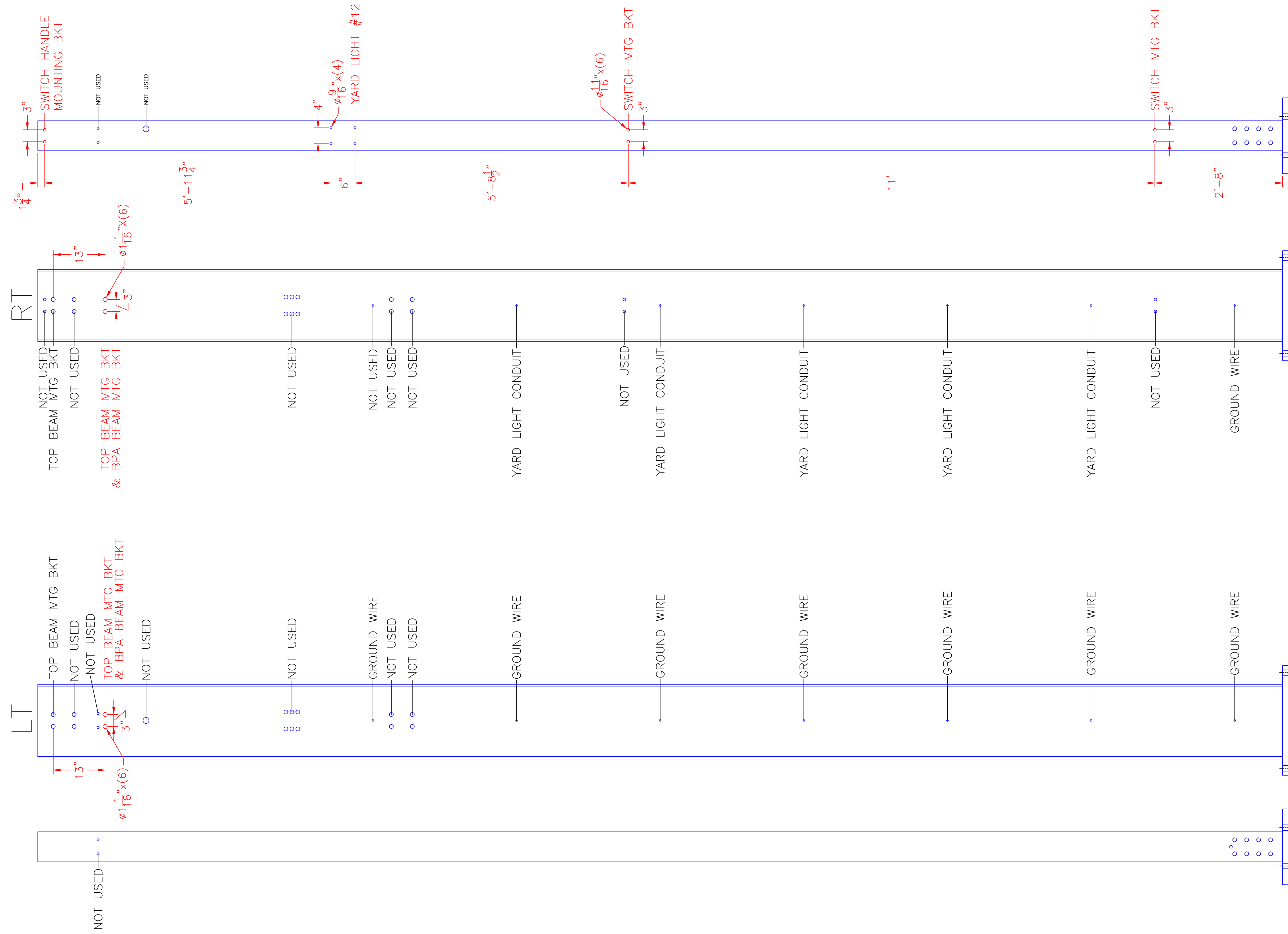
0	ISSUED FOR CONSTRUCTION	12/6/23	BENP	BENP				E5-1	SITE PLAN	DSGN	BENP	2022
REV	REVISIONS	DATE	DRN	DSGN	CKD	APPD			REFERENCE DRAWINGS	DRN	BENP	2022
										CKD		
										SCALE: N.T.S.		
										FOR 22x34 DWG ONLY		



CLALLAM COUNTY PUD
LIBERTY STATION
STRUCTURAL STEEL
A-FRAME WEST LEG DETAILS

JOB NUMBER	REV
21-2316	△
DRAWING NUMBER	
S1-10-3	

ALL HOLES IN RED MUST BE ADDED
HOLES TO BE GALVANIZED
PAINTED AFTER DRILLING



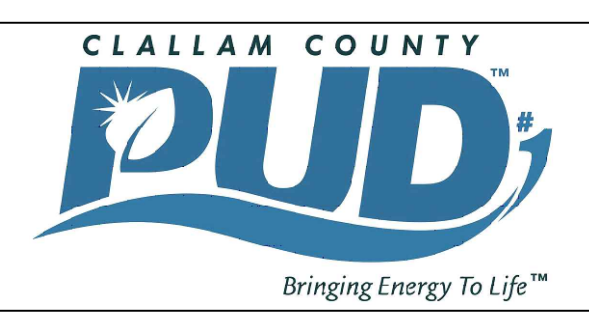
RIGHT LEG

LEFT LEG

A-FRAME EAST
REPURPOSED LEGS

0	ISSUED FOR CONSTRUCTION	12/6/23	BENP	BENP				E5-1	SITE PLAN	DSGN	BENP	2022
REV	REVISIONS	DATE	DRN	DSGN	CKD	APPD			REFERENCE DRAWINGS	DRN	BENP	2022
										CKD		

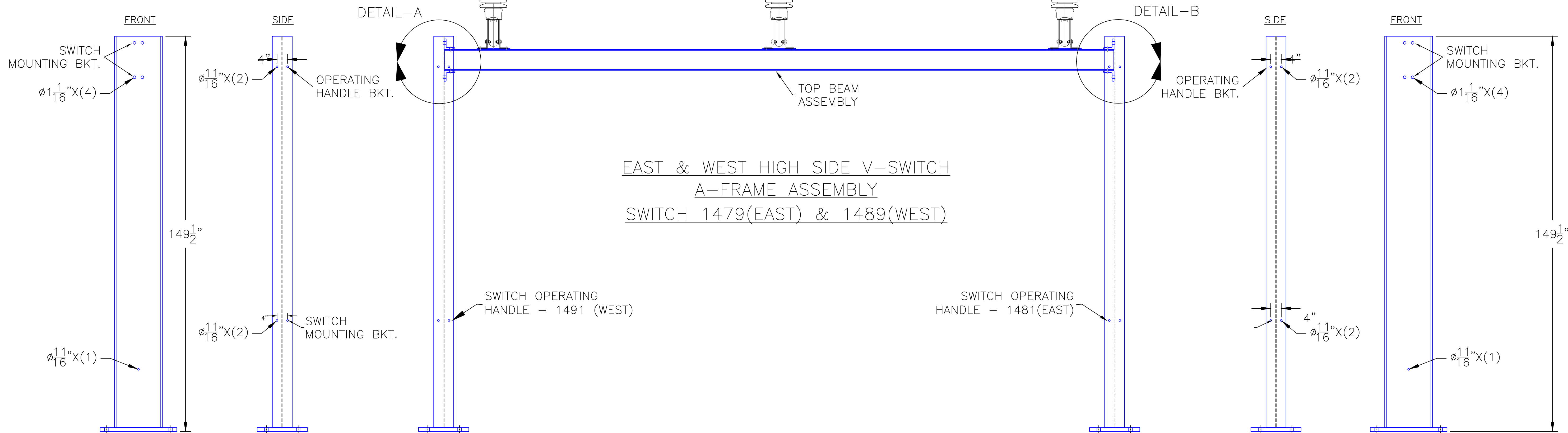
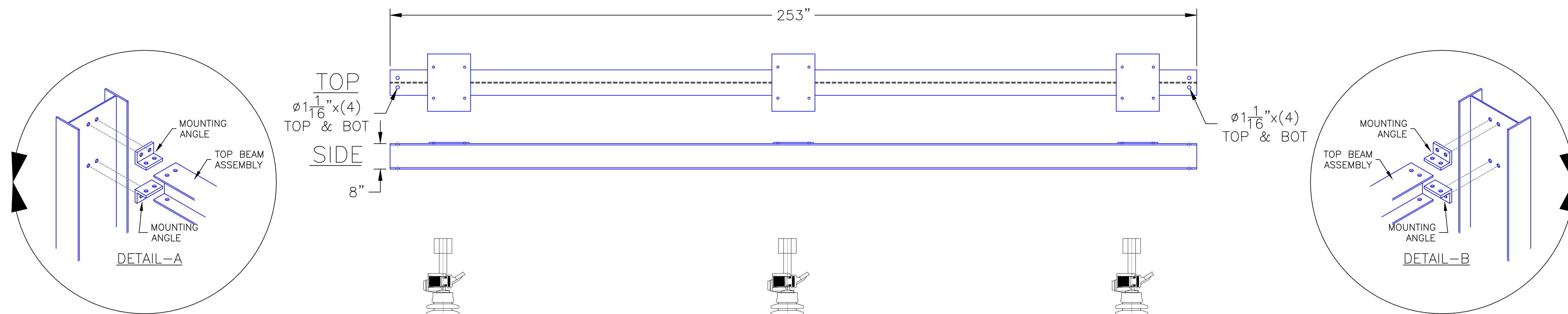
SCALE: N.T.S.
FOR 22x34 DWG ONLY



CLALLAM COUNTY PUD
LIBERTY STATION
STRUCTURAL STEEL
A-FRAME EAST LEG DETAILS

JOB NUMBER	REV
21-2316	△
DRAWING NUMBER	
S1-10-4	

TOP BEAM ASSEMBLY



EAST & WEST HIGH SIDE V-SWITCH
A-FRAME ASSEMBLY
SWITCH 1479(EAST) & 1489(WEST)

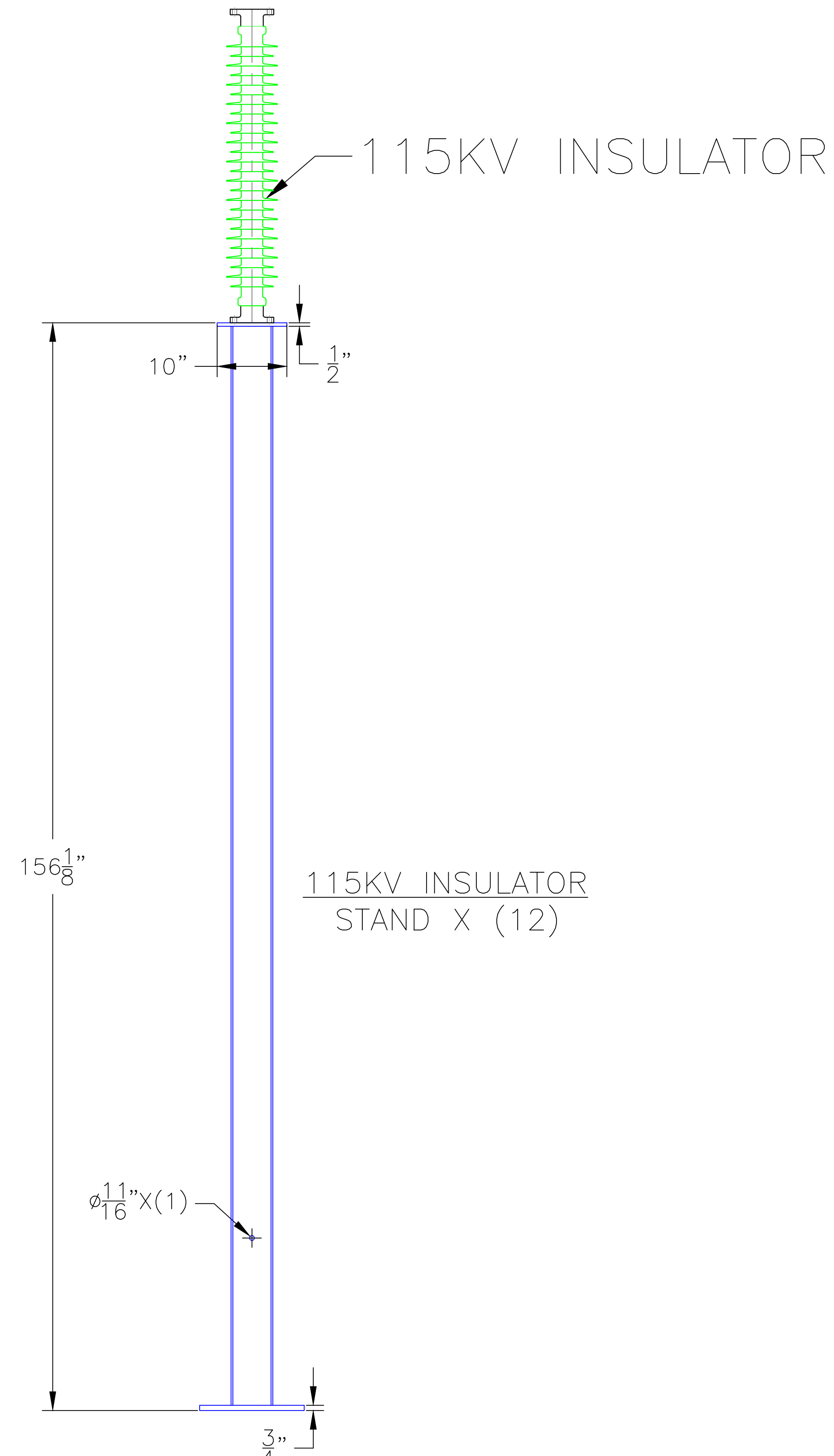
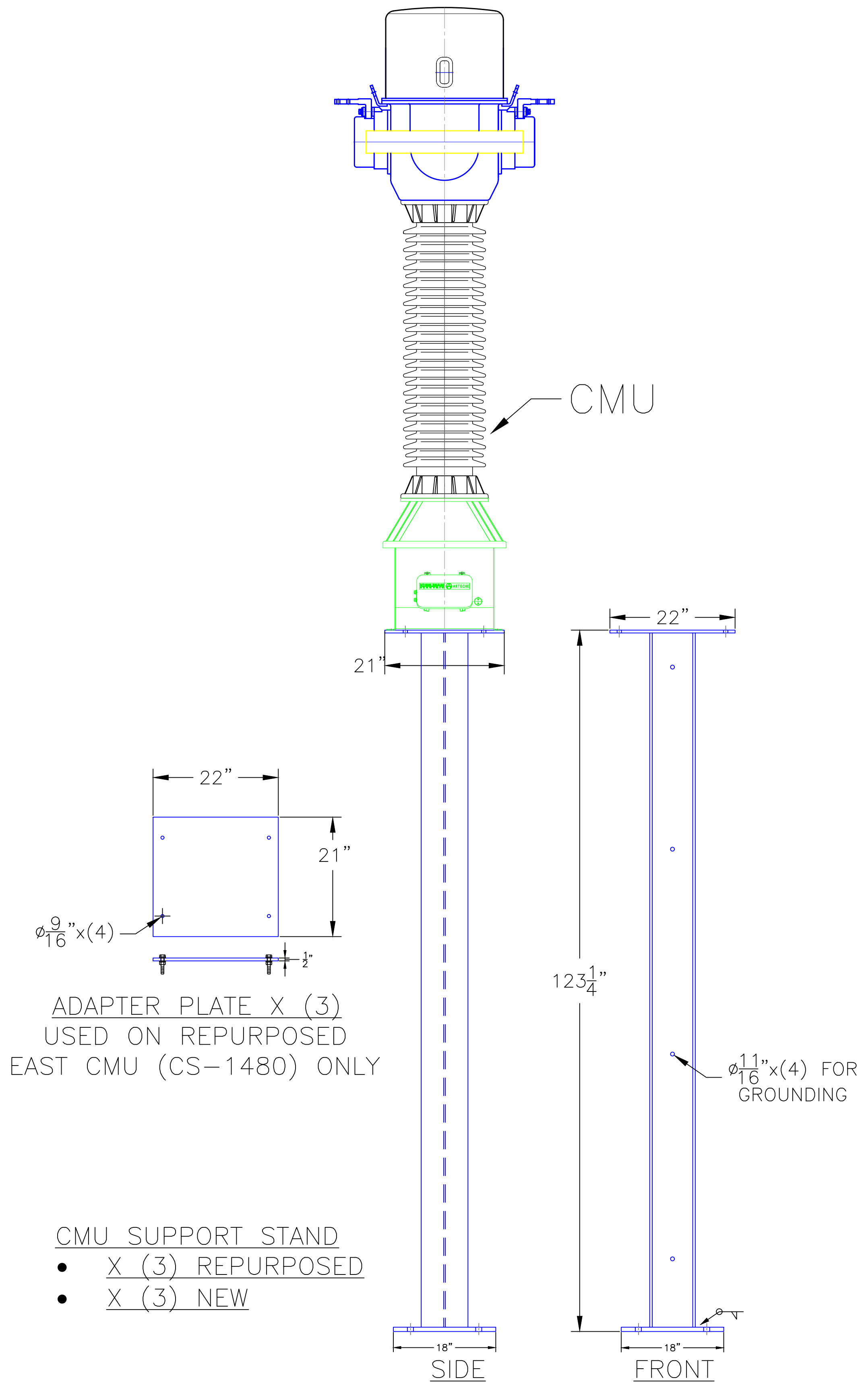
0	ISSUED FOR CONSTRUCTION	12/6/23	BENP	BENP			E5-1	SITE PLAN
REV	REVISIONS	DATE	DRN	DSGN	CKD	APPD		REFERENCE DRAWINGS

DSGN	BENP	2022
DRN	BENP	2022
CKD		
SCALE: N.T.S.		
FOR 22x34 DWG ONLY		



CLALLAM COUNTY PUD
LIBERTY STATION
STRUCTURAL STEEL - HIGH SIDE V-SWITCH EAST(1479) & WEST (1489)

JOB NUMBER	REV
21-2316	△
DRAWING NUMBER	
S1-10-5	



ADAPTER PLATE X (3)
USED ON REPURPOSED
EAST CMU (CS-1480) ONLY

- CMU SUPPORT STAND
- X (3) REPURPOSED
 - X (3) NEW

0	ISSUED FOR CONSTRUCTION	12/6/23	BENP	BENP			E5-1	SITE PLAN
REV	REVISIONS	DATE	DRN	DSGN	CKD	APPD		REFERENCE DRAWINGS

DSGN BENP 2022
 DRN BENP 2022
 CKD
 SCALE: N.T.S.
 FOR 22x34 DWG ONLY

CLALLAM COUNTY PUD	JOB NUMBER	REV
LIBERTY STATION	21-2316	△
STRUCTURAL STEEL	DRAWING NUMBER	
115KV INSULATORS & CMU'S	S1-10-6	