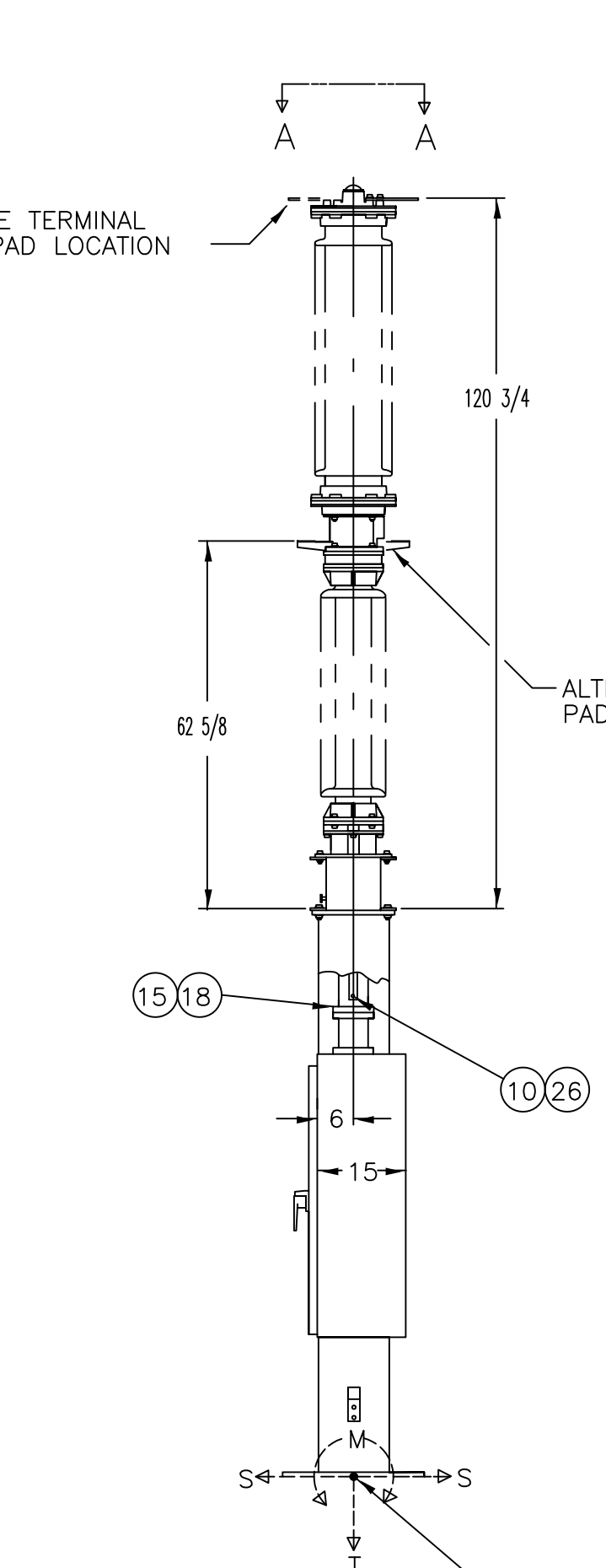


**NOTES:**

- TOTAL WEIGHT 4200 LBS.
- A TYPICAL BOLT CONNECTION FOR FIELD ASSEMBLY WILL REQUIRE ONE FLATWASHER UNDER THE BOLT AND ONE UNDER THE NUT.
- CURRENT CARRYING JOINT--USER TO PREPARE SURFACES PER STANDARD PROCEDURES.
- SUPPORT ANGLE (ITEM 8 TO BE SHIPPED ATTACHED TO PEDESTAL (ITEM 68).
- STANDARD FEATURES:
  - A 48-VOLT DC OPERATOR CONTROL VOLTAGE
  - E8 84 INCH PEDESTALS
  - H1 120-VOLT 60 Hz HEATER SUPPLY
- SWITCH-RELATED OPTIONAL FEATURES:
- IT IS RECOMMENDED THAT A NICKEL ALUMINUM BASED ANTI-SIEZE COMPOUND BE APPLIED TO THE INTERRUPTER MOUNTING STUDS WHEN ATTACHING THE INTERRUPTER TO THE TRANSITION BOX.

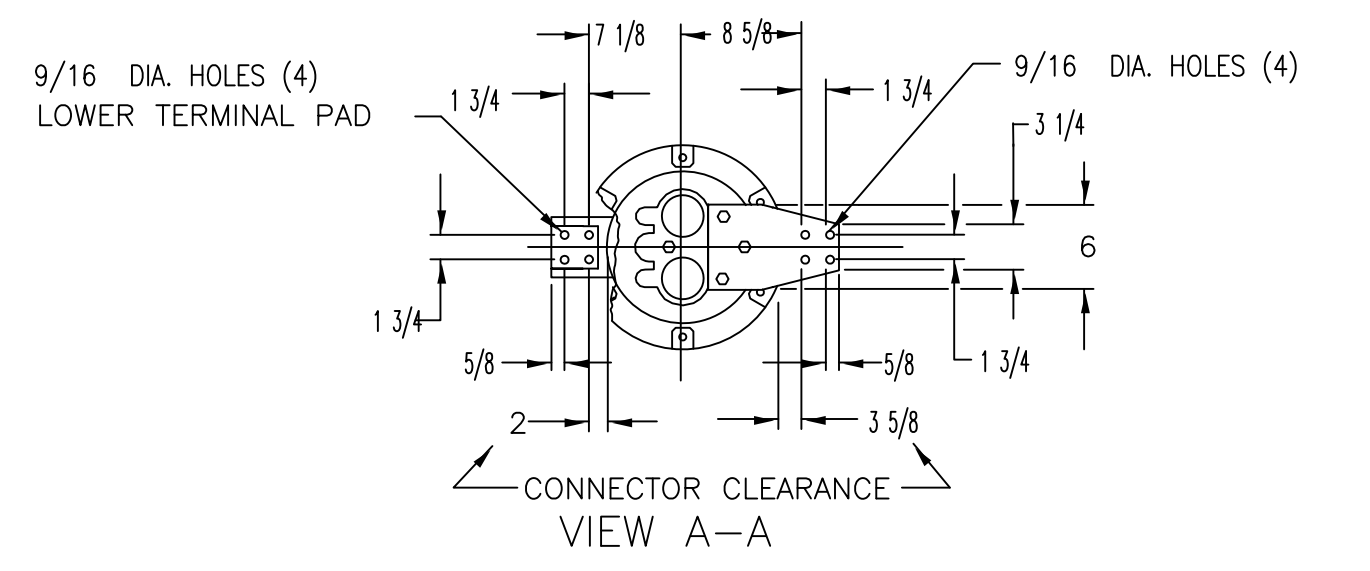
**SPECIAL FEATURES:**  
SPECIAL 7 FOOT PEDESTAL HIGH MOUNTING.



**FOUNDATION LOADINGS PER PEDESTAL**

BENDING MOMENT (M) 11,000 FT.-LBS.  
 SHEAR LOAD (S) 1,200 LBS.  
 THRUST (T)  
 STATIC 3,000 LBS.  
 DYNAMIC 1,500 LBS.  
 TOTAL 4,500 LBS.

⊕ BASED ON MOST-ADVERSE COMBINATION OF MAXIMUM-CONTINUOUS TERMINAL-PAD LOADING LIMITS LISTED ABOVE AND TAKING INTO ACCOUNT THE DEAD-WEIGHT CONTRIBUTION OF THE CIRCUIT-SWITCHER TO THE BENDING MOMENT, AS WELL AS A WIND LOADING OF 80 MILES PER HOUR.



	DIRECTION	MAXIMUM CONTINUOUS (POUNDS)	PERMISSIBLE (POUNDS)
UPPER TERMINAL	IN-LINE WITH TERMINALS	100 *	300 *
	PERPENDICULAR TO TERMINALS	100 *	150 *
	VERTICAL	300	300
LOWER TERMINAL	IN-LINE WITH TERMINALS	225 *	600 *
	PERPENDICULAR TO TERMINALS	225 *	300 *
	VERTICAL	300	300

\*IF BOTH TERMINALS ARE LOADED, THE LOADS MUST BE IN OPPOSING DIRECTION OR THE LIMITS MUST BE REDUCED TO ONE HALF THOSE SHOWN.  
 ○ SERIES 2000 CIRCUIT-SWITCHERS, WHEN INSTALLED WITH THE RECOMMENDED S&C ANCHOR BOLTS AND FLEXIBLE CONDUCTOR CONNECTIONS AT ALL (6) TERMINAL PADS, ARE CAPABLE OF WITHSTANDING SEISMIC LOADING OF .2G GROUND ACCELERATION IN ANY DIRECTION, AS WELL AS PERFORMING AS INTENDED DURING SUCH LOADING AND AFTERWARD.

REVISIONS		
NO.	DATE	DESCRIPTION
0	7-10-01	MM EN TS-6445

**CAUTION**

ANY INSTALLATION, OPERATION, INSPECTION OR MAINTENANCE OF THE EQUIPMENT COVERED BY THIS DOCUMENT MUST BE PERFORMED BY QUALIFIED PERSONS WHO ARE THOROUGHLY TRAINED AND WHO UNDERSTAND ANY HAZARDS THAT MAY BE INVOLVED. THIS DOCUMENT HAS BEEN PREPARED ONLY FOR SUCH QUALIFIED PERSONS AND IS NOT INTENDED TO BE SUBSTITUTED FOR ADEQUATE TRAINING AND EXPERIENCE IN SAFETY PROCEDURES FOR THIS TYPE OF EQUIPMENT BEFORE PERFORMING THE OPERATIONS DESCRIBED IN THIS DOCUMENT. THE NECESSARY SAFETY PROCEDURES RELATIVE TO THIS TYPE OF EQUIPMENT MUST BE CARRIED OUT.

PROPRIETARY STATEMENT: THIS DOCUMENT AND ALL PREVIOUS ISSUES ARE THE SECRET AND CONFIDENTIAL PROPERTY OF S&C ELECTRIC COMPANY ("S&C"), 4601 NORTH MICHIGAN, CHICAGO, ILLINOIS, AND NEITHER RECEIPT NOR POSSESSION THEREOF INFERS OR TRANSFERS ANY RIGHT IN OR LICENSE TO USE THIS DOCUMENT. THE SUBJECT MATTER THEREOF OR ANY DESIGN OR TECHNICAL INFORMATION SHOWN THEREIN OR ANY RIGHT TO REPRODUCE THIS DOCUMENT OR ANY PART THEREOF, NEITHER THIS DOCUMENT NOR ANY INFORMATION CONTAINED THEREIN MAY BE COPIED, REPRODUCED, OR OTHERWISE USED OR DISCLOSED TO ANY OTHER PARTY WITHOUT FIRST OBTAINING THE EXPRESS WRITTEN PERMISSION OF S&C. THIS DOCUMENT IS PROVIDED UNDER THE EXPRESS CONDITION THAT IT WILL BE HELD IN CONFIDENCE BY THE RECIPIENT, THAT IT IS SUBJECT TO RETURN UPON DEMAND, AND THAT IT WILL NOT BE USED IN ANY WAY DETRIMENTAL TO S&C.

BILL OF MATERIAL			
ITEM	QTY.	PART NUMBER	DESCRIPTION
1	1	SA-42624-3	UNIT SUB-ASSEMBLY
2	1	SA-41915-1	BOTTOM PLATE ASSEMBLY
3	3	SA-41695	INTERRUPTING UNIT
4	24	S-75173-2	SHIM
5	5	S-89499	PIN RETAINING CLIP
6	3	S-89177	TERMINAL PAD
7	1	S-90003-1	OPERATOR SUPPORT
8	2	SX-2201	MOUNTING ANGLE
9	1	S-90590-1	PIN (TOP)
10	1	S-89674-6	PIN (BOTTOM)
11	1	G-5687	NAME PLATE
12	4	3540-209	1/8 D. X 19/64 RIVET AD-42 AH
13	1	1340-312	1/8 X 1 3/4 COTTER PIN S.S.
14	9	1323-307	1/2 -13 X 1 1/4 H.H.C.S. S.S.
15	8	1023-332	1/2 -13 X 1 1/2 H.H.C.S. GALV.
16	4	1023-335	1/2 -13 X 1 3/4 H.H.C.S. GALV.
17	12	1323-811	1/2 -13 HEX NUT S.S.
18	28	1040-039	1/2 HARDENED FLATWASHER GALV.
19	10	1040-035	1/2 -13 UNI-TORQ HEX NUT GALV.
20	27	1040-031	17/32 I.D. BELLEVILLE WASHER
21	32	1040-038	5/8 HARDENED FLATWASHER GALV.
22	16	9933-113	5/8 -11 UNI-TORQ HEX NUT GALV.
23	2	1023-512	1/2 -13 X 14 H.H.C.S. GALV.
24	16	1023-368	5/8 -11 X 2 1/4 H.H.C.S. GALV.
26	1	1340-396	1/8 X 2 1/2 COTTER PIN S.S.
27	4	9933-132	HOLE PLUG
28	1	SA-42775	SHIPPING & ALIGNMENT TOOL
29	1	G-5946	CAUTION LABEL
42	1	SA-42000-AH1KMTW1	OPERATOR
66	1	SA-41864-1	TUBE SUPPORT
67	1	SA-41933	CONNECTING LINK
68	2	SXA-2119-1-S114	PEDESTAL
90	1	0356-238	INSTRUCTION ENVELOPE 5-16, CONTAINING ONE (1) PRINT EACH OF THE FOLLOWING: CATALOG DRAWING 716-60 DATA BULLETIN, CONTROL WIRE REQ. 716-61 DATA BULLETIN, LOADING DATA 716-500 INSTRUCTION SHEET, CIRCUIT-SWITCHER 716-590 INSTRUCTION SHEET, INSPECTION RECOM.

**NAMEPLATE DATA**

CATALOG NUMBER ..... 597738 -AE8H1KMTW1-S140  
 MODEL ..... 2030  
 KV,NOMINAL-MAX DESIGN-BIL ..... 115-121-550  
 OPERATOR CONTROL VOLTAGE ..... 48 VDC  
 SPACE HEATER VOLTAGE ..... 120 V 60 Hz

AMPERES,RMS, CONTINUOUS ..... 1200  
 AMPERES,RMS, FAULT-CLOSING,DUTY-CYCLE,ONE-TIME ..... 64 000  
 MOMENTARY ..... 64 000  
 ONE-SECOND ..... 40 000

AMPERES,RMS,FAULT-CLOSING,DUTY-CYCLE,ONE-TIME  
 SYMMETRICAL ..... 40 000  
 ASYMMETRICAL ..... 64 000

AMPERES INTERRUPTING:  
 PARALLEL OR LOOP CIRCUITS ..... 1200 LOAD  
 LINE DROPPING ..... 400  
 CABLE DROPPING ..... 400

SHUNT CAPACITOR BANKS  
 GROUNDED Δ ..... 400  
 UNGROUNDED Δ ..... 400  
 SHUNT REACTORS GROUNDED Δ ..... 600  
 UNGROUNDED Δ ..... N/A

TRANSFORMER PRIMARY FAULTS \* ..... 25 000  
 TRANSFORMER SECONDARY FAULTS ..... 4000

CABLE,CAPACITOR OR REACTOR FAULTS \* ..... 25 000

□ SINGLE CAPACITOR BANKS ONLY  
 Δ APPLIED ON SOLIDLY GROUNDED SYSTEMS ONLY.  
 \* REFER TO S&C PRICE SHEET 716

PRINT IDENTIFICATION  
 CUSTOMER: CLALLAM COUNTY CUSTOMER ORDER NUMBER: 5221-E  
 S&C S.O. NUMBER: 718647 S&C ITEM NUMBER: 1 S&C J.O. NUMBER:

THIS PRINT IS FOR YOUR APPROVAL. SHIP SCHEDULE IS VOID IF APPROVAL IS RECEIVED AFTER:  
 THIS PRINT IS FOR YOUR RECORDS. MANUFACTURING IS PROCEEDING AND ANY CHANGES WILL RESULT IN A SHIPMENT DELAY.  
 THIS IS A REVISED PRINT FOR YOUR RECORDS.

MARK: FOR CLALLAM COUNTY SUBSTATION  
 CERTIFIED BY: \_\_\_\_\_

**S&C ELECTRIC COMPANY**  
 GENERAL OFFICES • CHICAGO  
 Specialists in High-Voltage Switching and Protection

DESCRIPTION: S&C SERIES 2000 CIRCUIT-SWITCHER  
 MODEL 2030  
 WITH VERTICAL INTERRUPTERS AND WITHOUT DISCONNECT  
 115 KV 1200 AMPERES

SHEET 1 OF 3  
 CATALOG NO. 597738  
 MST REV. NO. \_\_\_\_\_  
 FEATURE SUFFIXES  
 AE8H1KMTW1-S140

DSGN	BENP	9/2022				SCALE: N.T.S.		CLALLAM COUNTY PUD LIBERTY STATION CIRCUIT SWITCHER CS-1490 STRUCTURAL	JOB NUMBER	REV
DRN	BENP	9/2022							21-2316	△
CKD									DRAWING NUMBER	E2-3
0	ISSUED FOR CONSTRUCTION	12/6/23	BENP	BENP						
REV	REVISIONS	DATE	DRN	DSGN	CKD	APPD	REFERENCE DRAWINGS			