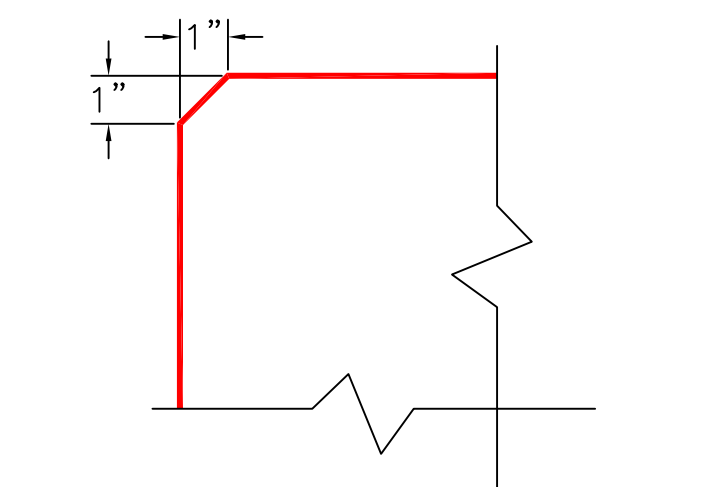
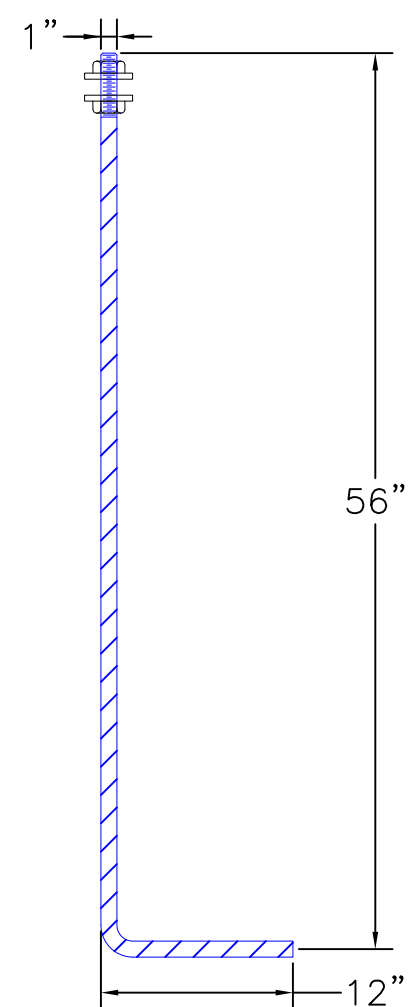


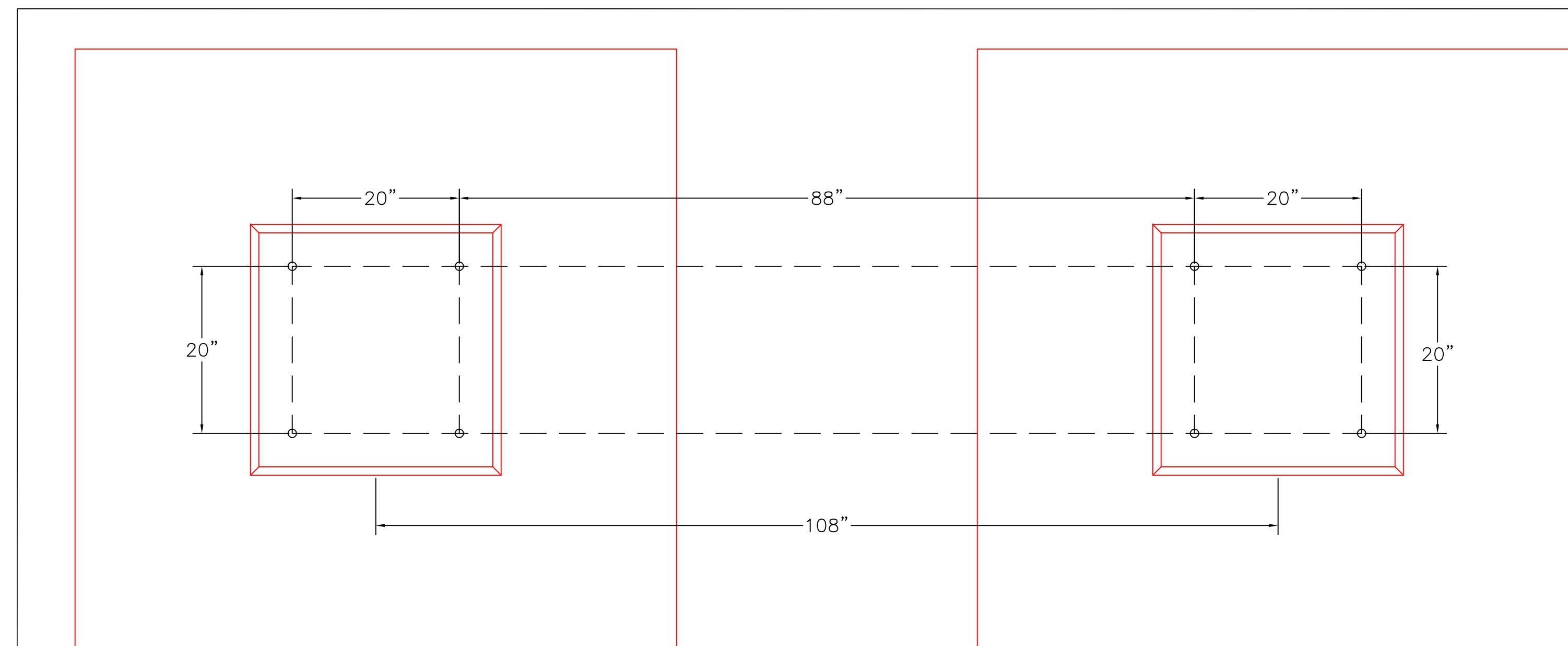
DETAIL-A
CIRCUIT SWITCHER FOUNDATION



CHAMFER DETAIL TYPICAL
NO SCALE



PUD WILL SUPPLY ANCHOR BOLTS



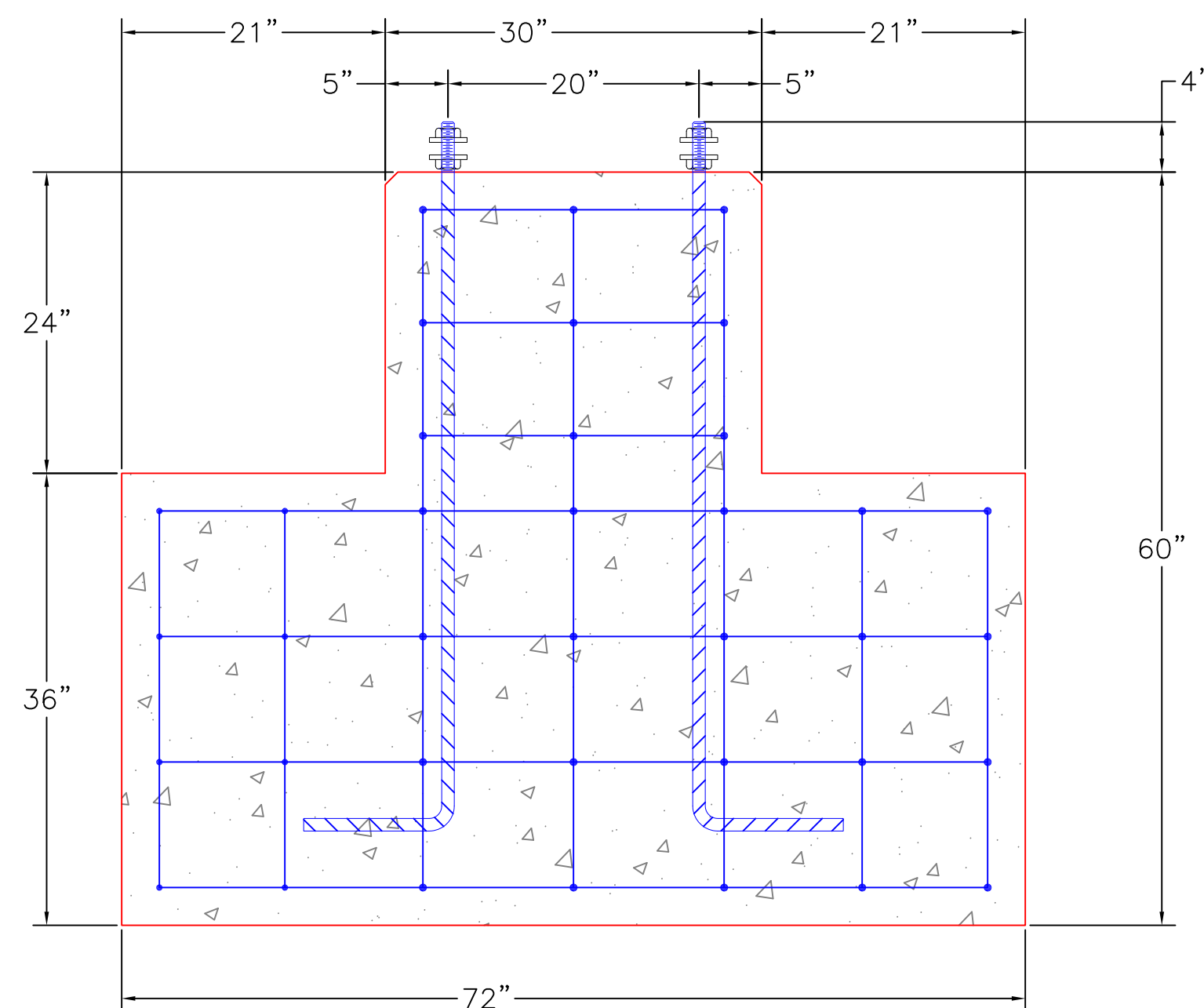
CIRCUIT SWITCHER FOUNDATION

DETAIL-B
CRITICAL DIMENSIONS

CIRCUIT SWITCHER FOUNDATION

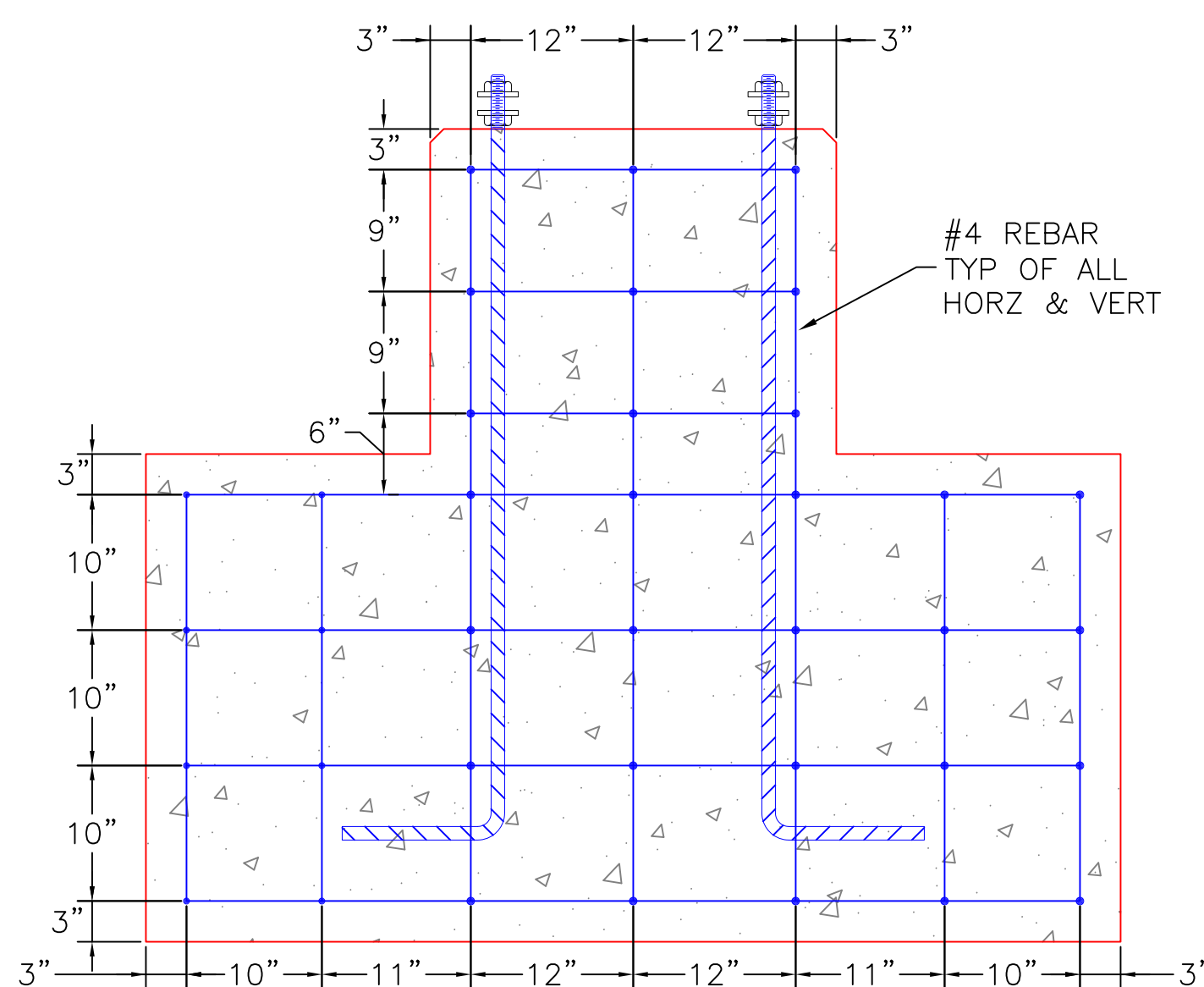
NOTES:

1. THE DIMENSIONS SHOWN IN THIS DETAIL ARE CRITICAL AND MUST BE MET.
2. SEE ALSO E5-1 FOR MORE SITE CRITICAL DIMENSIONS.



SECTION A-A

CIRCUIT SWITCHER FOOTING DETAIL
TYPICAL OF (2) - EAST & WEST



SECTION B-B

NOTES:

1. PROVIDE CHAMFERS AS NOTED
2. $f_c = 3000\text{PSI}$
3. $f_s = 40,000\text{ PSI}$
4. ALL ABOVE GRADE SURFACES TO BE TROWEL FINISHED CONCRETE SMOOTH
5. POUR CONCRETE ONLY AFTER DISTRICT REPRESENTATIVE HAS
6. INSPECTED THE FORM TO BE POURED
7. CONTRACTOR SHALL PROVIDE TEMPLATE TO MAINTAIN ALIGNMENT OF STRUCTURE ANCHOR BOLTS WHILE POURING AND DRYING
8. ALL STEEL TO BE UNIFORMLY AND EVENLY SUSPENDED FROM THE TOP OF FORMS. WHEN CONCRETE CAN FIRMLY SUPPORT STEEL, SUSPENSION WIRES TO BE REMOVED TO 2" BELOW CONCRETE SURFACE AND FINAL FINISH APPLIED.
9. ALL STEEL REBAR TO BE GRADE 40.
10. CHAMFER AS NOTED
11. ALL WORK IN CONFORMANCE WITH A.C.I. SPECIFICATIONS LATEST EDITION.

QTY (2) OF THESE (2) BASE FOUNDATIONS
REQUIRED, (1)/EA EAST & WEST

0	ISSUED FOR CONSTRUCTION	12/6/23	BENP	BENP			E5-1	SITE PLAN
REV	REVISIONS	DATE	DRN	DSGN	CKD	APPD		REFERENCE DRAWINGS

DSGN BENP 9/2022
DRN BENP 9/2022
CKD

SCALE: N.T.S.

CLALLAM COUNTY PUD	JOB NUMBER	REV
LIBERTY STATION	21-2316	△
CIRCUIT SWITCHER FOUNDATION CONCRETE DETAILS	DRAWING NUMBER	E4-5