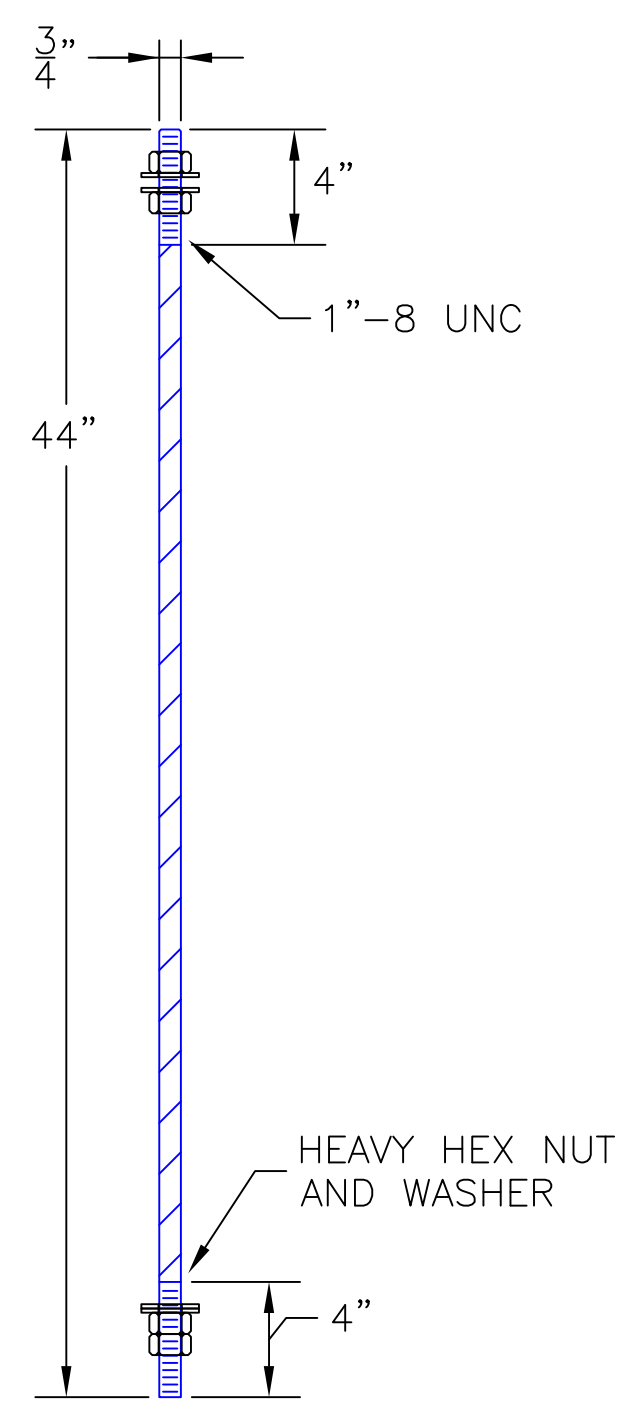
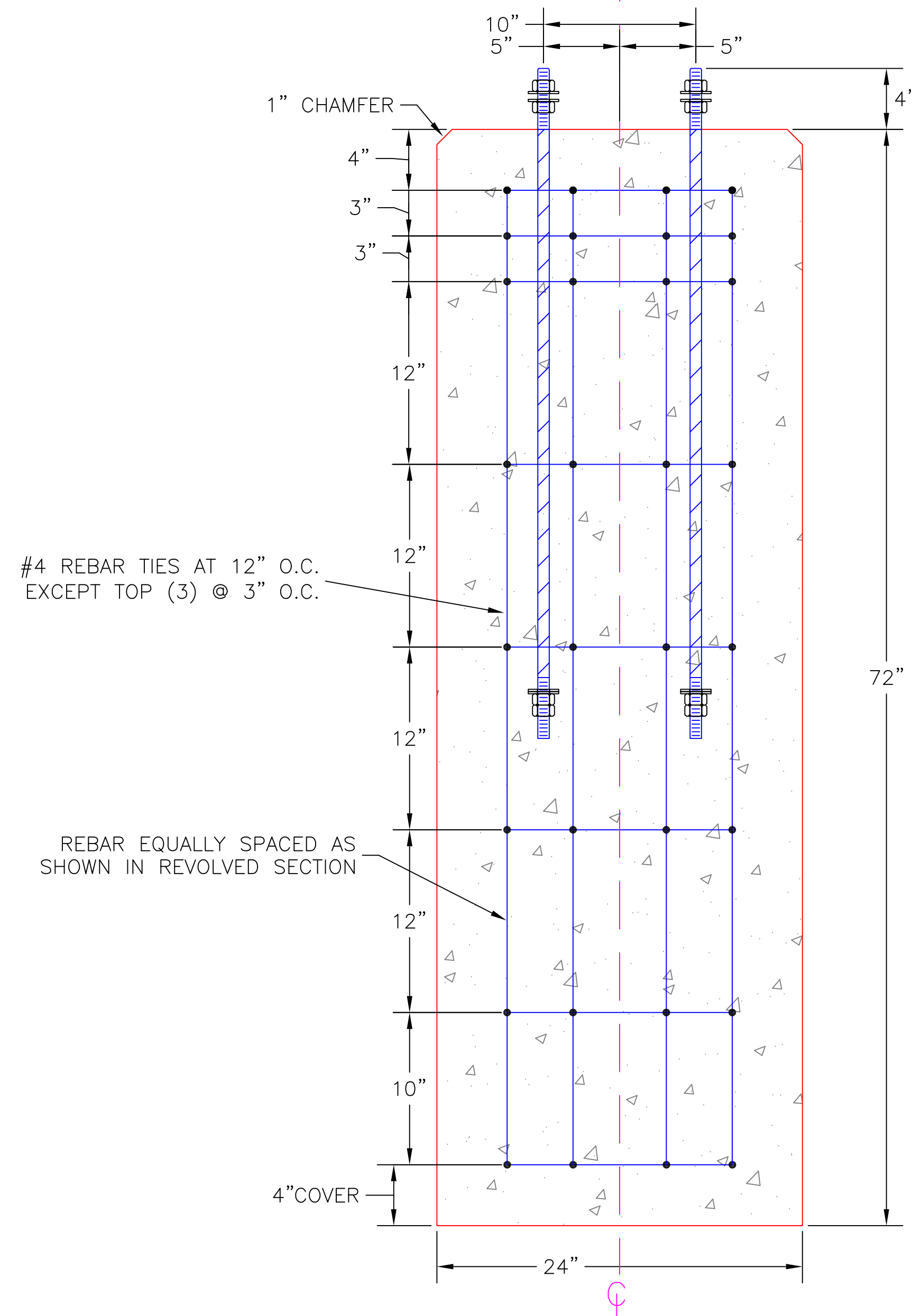


NOTES:
 1. ANCHOR BOLT DIMENSIONS SHOWN IN THIS DETAIL ARE CRITICAL AND MUST BE MET.
 2. SEE ALSO E5-1 FOR MORE SITE CRITICAL DIMENSIONS.



ANCHOR BOLTS
 QTY (4)/EA REQ'D
 HOT DIP GALV.
PUD WILL SUPPLY
ALL ANCHOR BOLTS

NOTES:
 1. PROVIDE CHAMFERS AS NOTED
 2. $f_c = 3000\text{PSI}$
 3. $f_s = 40,000\text{ PSI}$
 4. ALL ABOVE GRADE SURFACES TO BE TROWEL FINISHED CONCRETE SMOOTH
 5. POUR CONCRETE ONLY AFTER DISTRICT REPRESENTATIVE HAS
 6. INSPECTED THE FORM TO BE POURED
 7. CONTRACTOR SHALL PROVIDE TEMPLATE TO MAINTAIN ALIGNMENT
 OF STRUCTURE ANCHOR BOLTS WHILE POURING AND DRYING
 8. ALL STEEL TO BE UNIFORMLY AND EVENLY SUSPENDED FROM
 THE TOP OF FORMS. WHEN CONCRETE CAN FIRMLY SUPPORT
 STEEL, SUSPENSION WIRES TO BE REMOVED TO 2" BELOW
 CONCRETE SURFACE AND FINAL FINISH APPLIED.
 9. ALL STEEL REBAR TO BE GRADE 40.
 10. CHAMFER AS NOTED
 11. ALL WORK IN CONFORMANCE WITH A.C.I. SPECIFICATIONS
 LATEST EDITION.

**115KV INSULATOR
 FOUNDATION DETAILS
 DETAIL IS TYPICAL
 QTY (12) EA REQ'D**

										DSGN	BENP	9/2022		CLALLAM COUNTY PUD	JOB NUMBER	REV
										DRN	BENP	9/2022		LIBERTY STATION	21-2316	△
										CKD				115KV INSULATOR FOUNDATION CONCRETE DETAILS	DRAWING NUMBER	E4-4
0	ISSUED FOR CONSTRUCTION	12/6/23	BENP	BENP				E5-1	SITE PLAN	SCALE: N.T.S.						
REV	REVISIONS	DATE	DRN	DSGN	CKD	APPD			REFERENCE DRAWINGS							