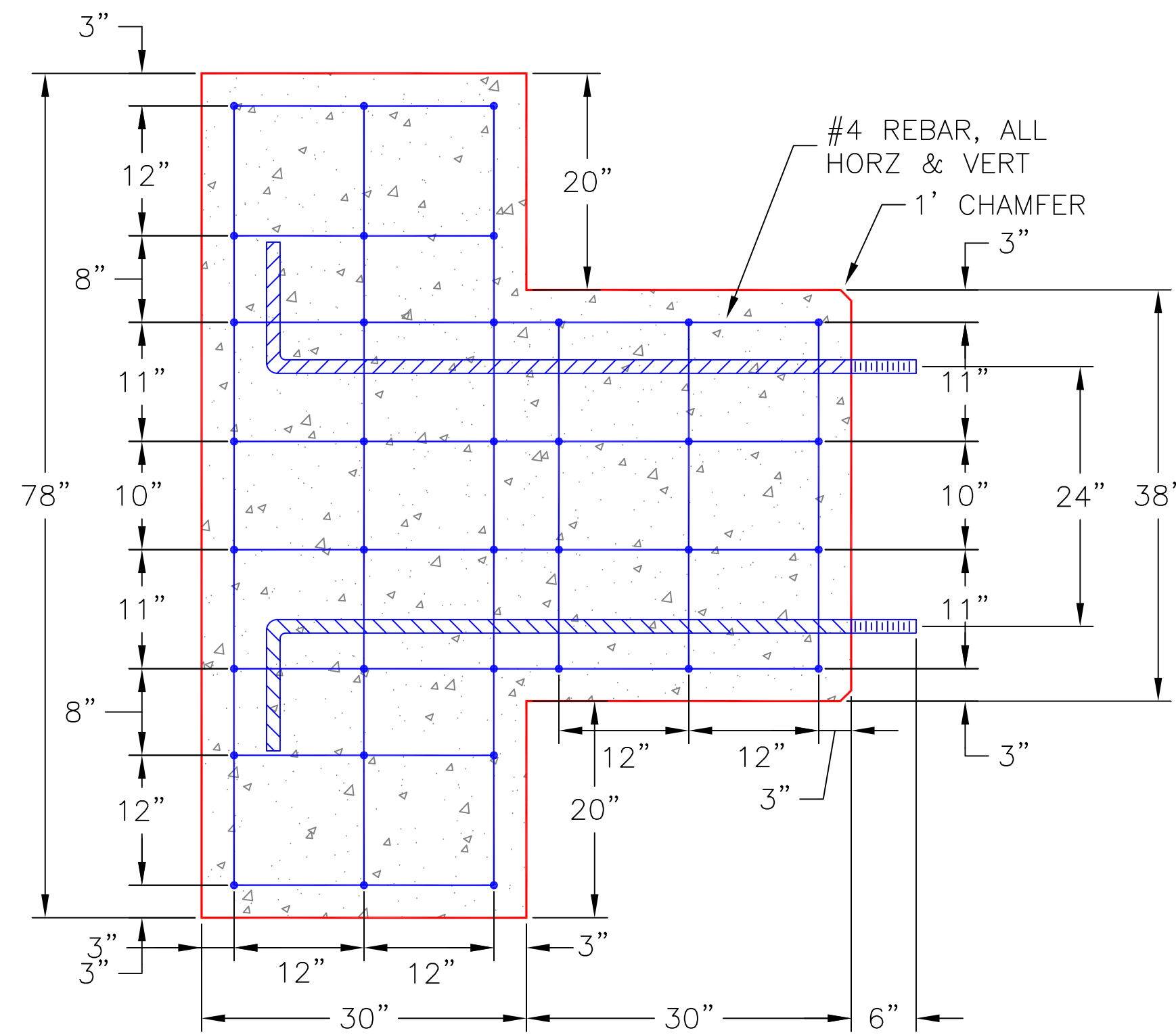
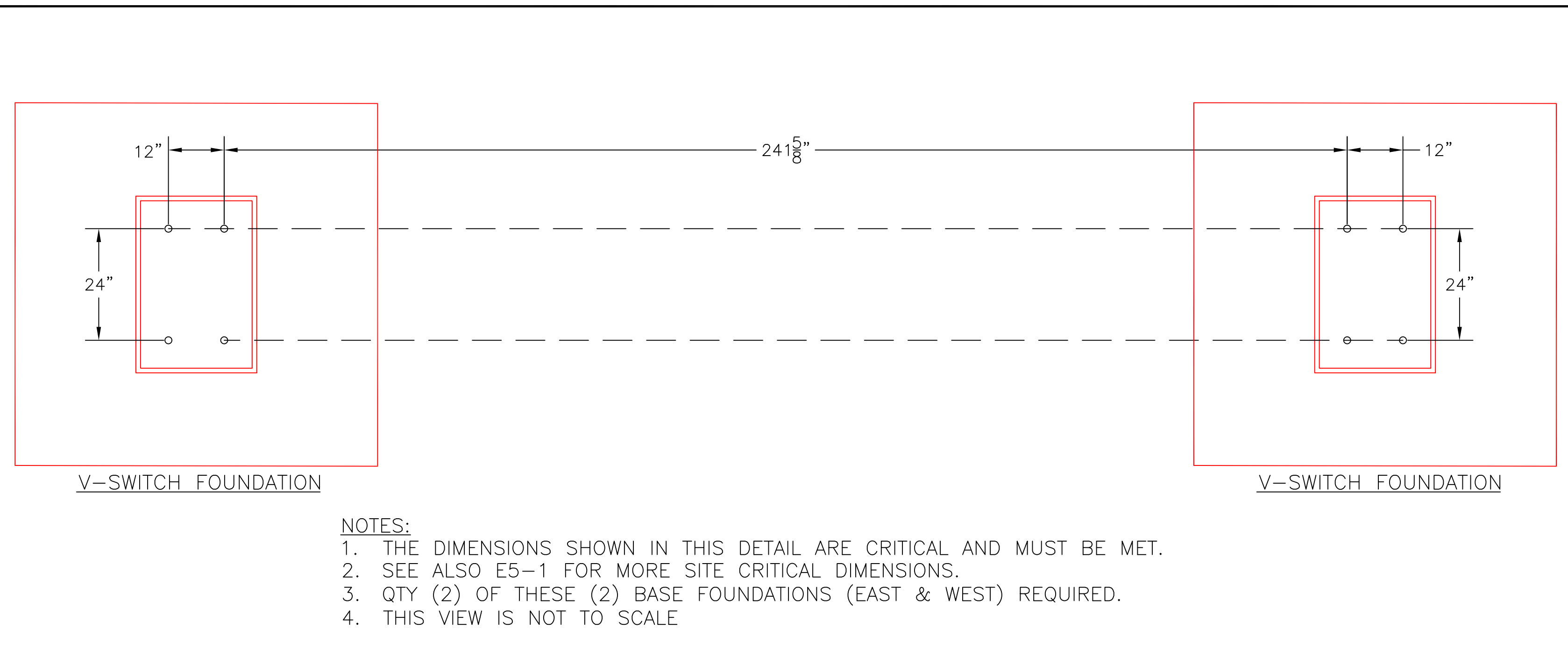
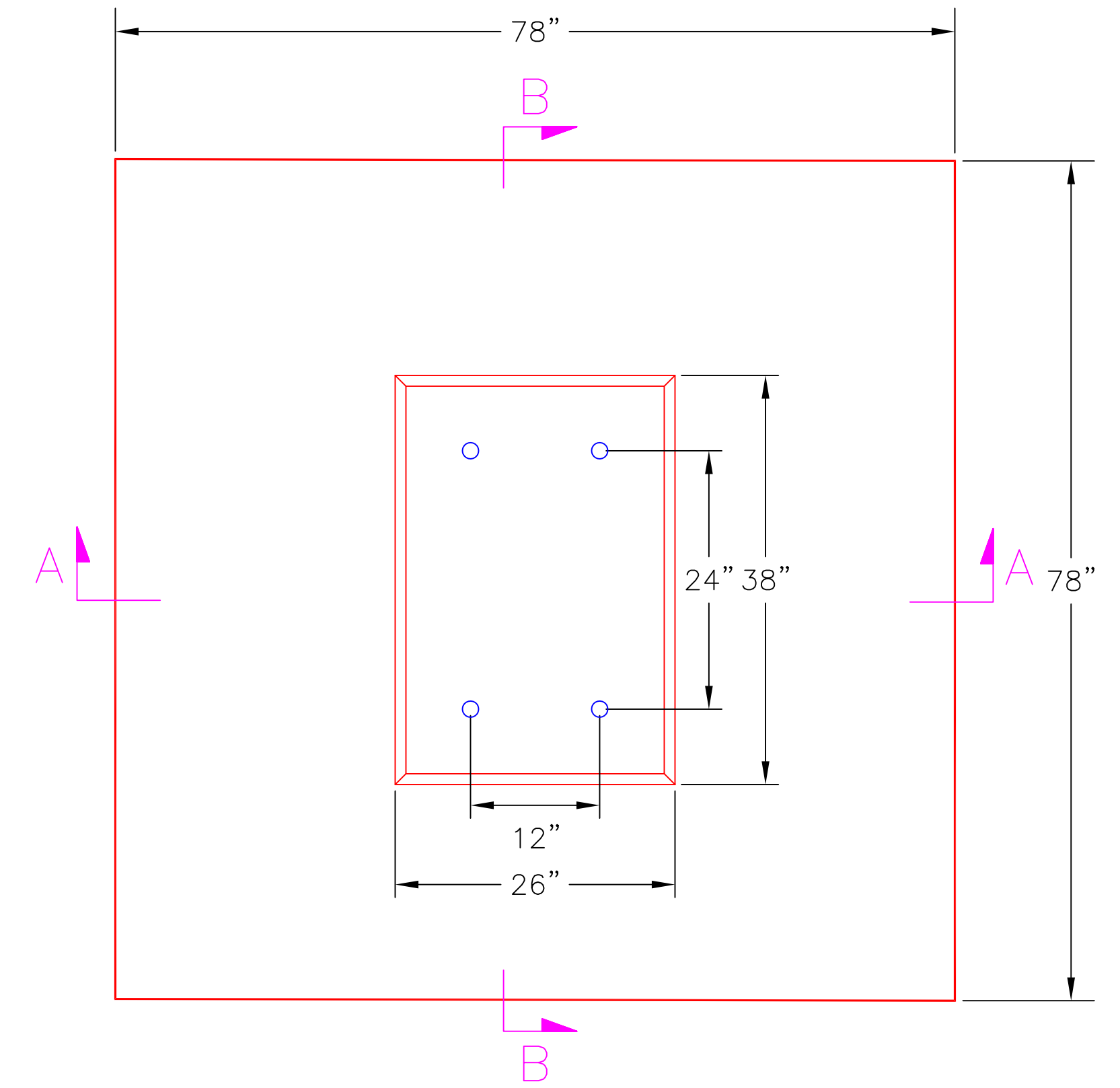


NOTES:

1. PROVIDE CHAMFERS AS NOTED
2. $f_c = 3000\text{PSI}$
3. $f_s = 40,000\text{ PSI}$
4. ALL ABOVE GRADE SURFACES TO BE TROWEL FINISHED CONCRETE SMOOTH
5. POUR CONCRETE ONLY AFTER DISTRICT REPRESENTATIVE HAS
6. INSPECTED THE FORM TO BE POURED
7. CONTRACTOR SHALL PROVIDE TEMPLATE TO MAINTAIN ALIGNMENT OF STRUCTURE ANCHOR BOLTS WHILE POURING AND DRYING
8. ALL STEEL TO BE UNIFORMLY AND EVENLY SUSPENDED FROM THE TOP OF FORMS. WHEN CONCRETE CAN FIRMLY SUPPORT STEEL, SUSPENSION WIRES TO BE REMOVED TO 2" BELOW CONCRETE SURFACE AND FINAL FINISH APPLIED.
9. ALL STEEL REBAR TO BE GRADE 40.
10. CHAMFER AS NOTED
11. ALL WORK IN CONFORMANCE WITH A.C.I. SPECIFICATIONS LATEST EDITION.

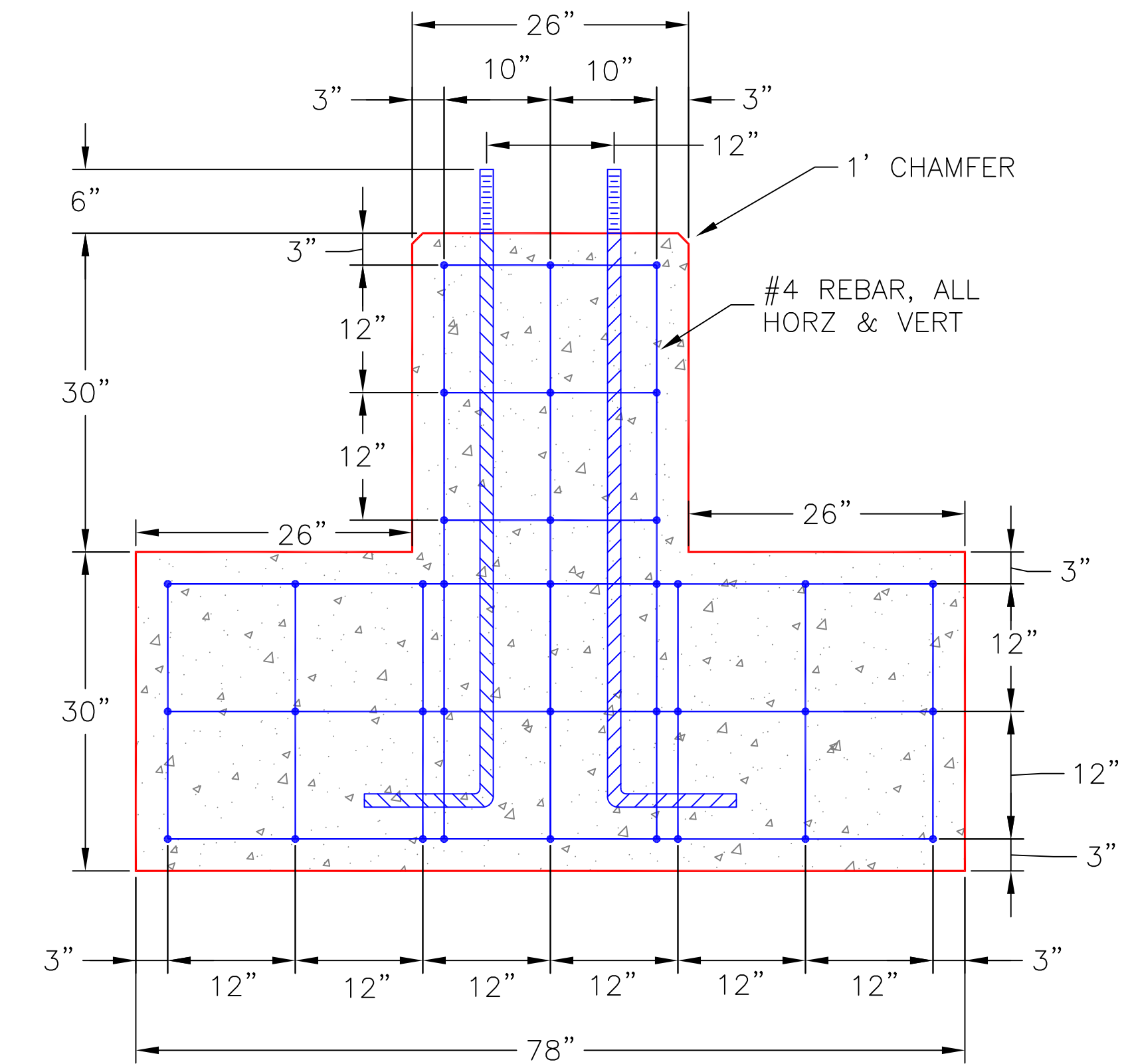
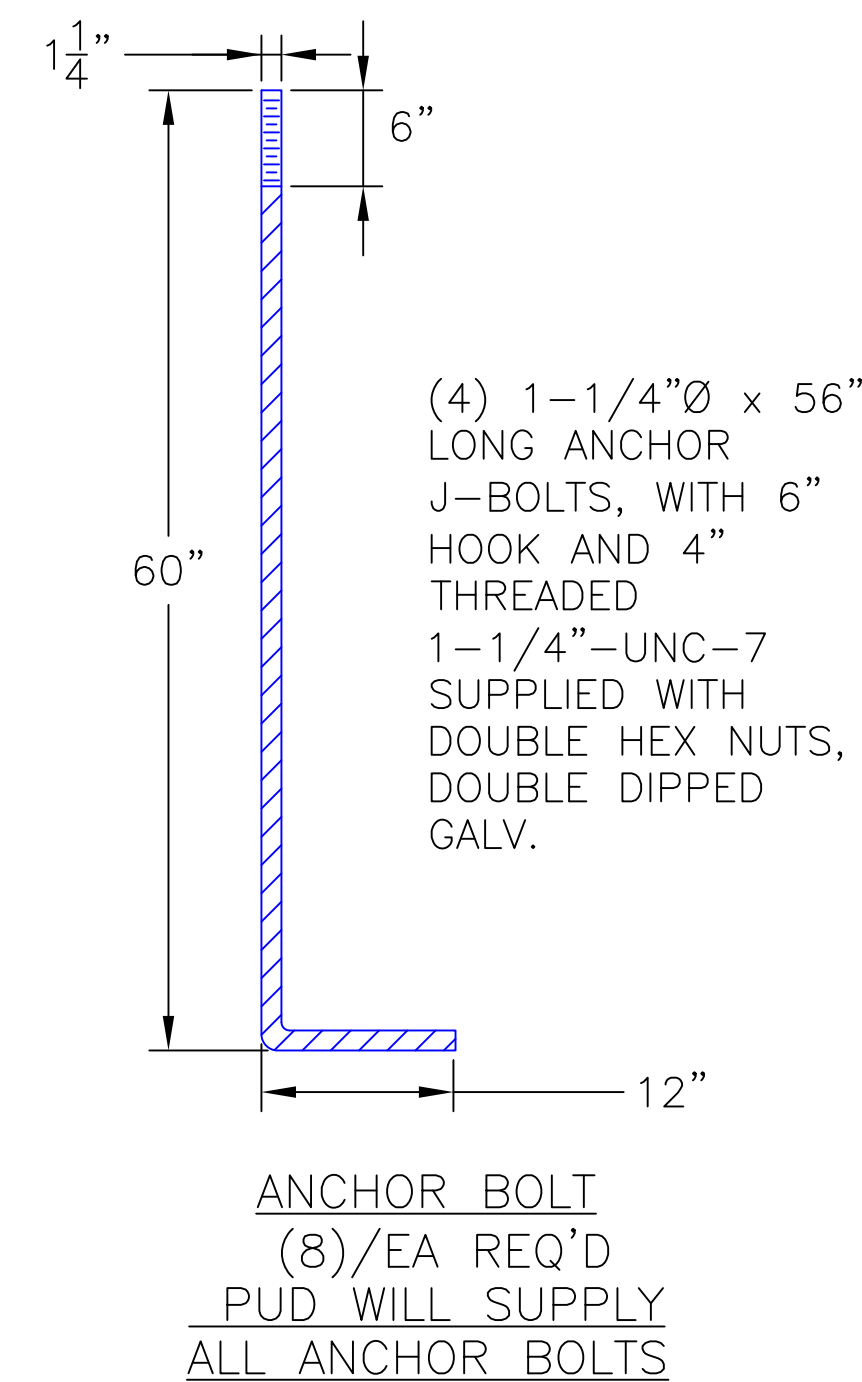


SECTION B-B



NOTES:

1. THE DIMENSIONS SHOWN IN THIS DETAIL ARE CRITICAL AND MUST BE MET.
2. SEE ALSO E5-1 FOR MORE SITE CRITICAL DIMENSIONS.
3. QTY (2) OF THESE (2) BASE FOUNDATIONS (EAST & WEST) REQUIRED.
4. THIS VIEW IS NOT TO SCALE



SECTION A-A

										DSGN	BENP	9/2022		CLALLAM COUNTY PUD LIBERTY STATION EAST/WEST HIGH SIDE V-SWITCH CONCRETE FOUNDATION DETAILS	JOB NUMBER	REV
									DRN	BENP	9/2022	21-2316			△	
									CKD			DRAWING NUMBER			E4-2	
0	ISSUED FOR CONSTRUCTION	12/6/203	BENP	BENP				E5-1	SITE PLAN	SCALE: N.T.S.						
REV	REVISIONS	DATE	DRN	DSGN	CKD	APPD			REFERENCE DRAWINGS							