

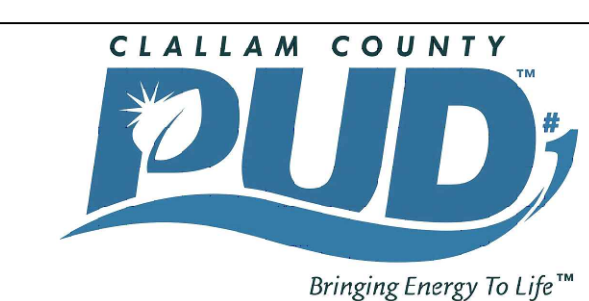
DRAWING SCHEDULE					ANCH.	MTG.
ITEM	DESCRIPTION	CONCRETE DWG	STEEL DWG	DWG	BOLT Ø	HOLE Ø
A	115KV INSULATOR	E4-4	S1-5	N/A	3/4"	13/16"
B	HIGH SIDE HORIZONTAL V-SWITCH E&W	E4-2	S1-3	N/A	1-1/4"	1-5/16"
C	CIRCUIT SWITCHER	E4-5	E2-2/E2-3	N/A	1"	1-1/4"
D	CMU	E4-3	S1-4	N/A	1"	1-1/16"
E	A-FRAME EAST (CS-1480)	E4-1	S1-1/S1-7	N/A	1-1/4"	1-5/16"
F	A-FRAME (WEST (CS-1490)	E4-1	S1-2	N/A	1-1/4"	1-5/16"
G	BPA TIE BEAM	N/A	S1-6	N/A	N/A	N/A
H	CONTROL HOUSE	E4-6	N/A	N/A	N/A	N/A
I	GRADING & ROCK DETAIL	N/A	N/A	C3-1	N/A	N/A
J	GROUNDING PLAN	N/A	N/A	E5-3	N/A	N/A

NOTES:

1. CONTRACTOR TO PROVIDE ALL SURVEYING REQUIRED.
2. PUD WILL PROVIDE CAD POINTS OF THE CENTER OF EACH ANCHOR BOLT TO THE SURVEYOR
3. DIMENSIONS IN RED ARE CRITICAL AND MUST BE MET.
4. DIMENSIONS IN MAGENTA ARE FOR GENERAL LAYOUT REFERENCE.
5. DIMENSIONS IN BLACK ARE REFERENCE
6. PUD CREWS WILL INSTALL FENCE
7. TOP OF ALL CONCRETE STRUCTURES IS ELEV 260.

REV	ISSUED FOR CONSTRUCTION	DATE	DRN	DSGN	CKD	APPD	REFERENCE DRAWINGS
0	ISSUED FOR CONSTRUCTION	12/6/23	BENP				

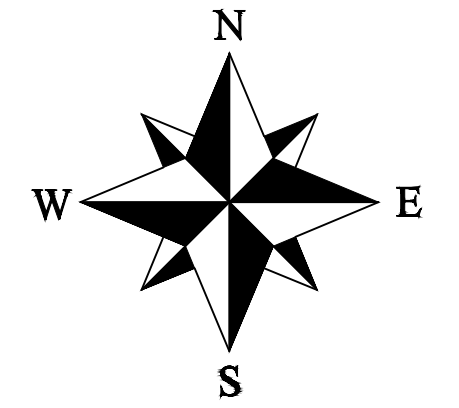
DSGN	BENP	9/2022
DRN	BENP	9/2022
CKD		
SCALE:	N.T.S.	



CLALLAM COUNTY PUD	JOB NUMBER	REV
LIBERTY STATION	21-2316	
FOUNDATION PLAN	DRAWING NUMBER	E4-0-1

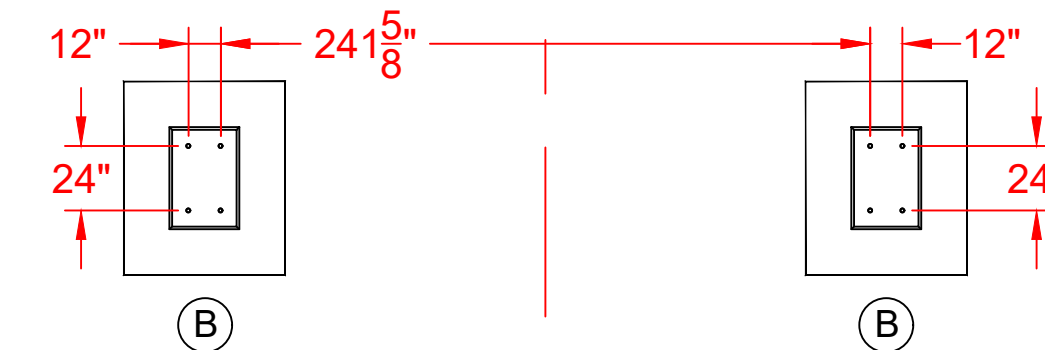
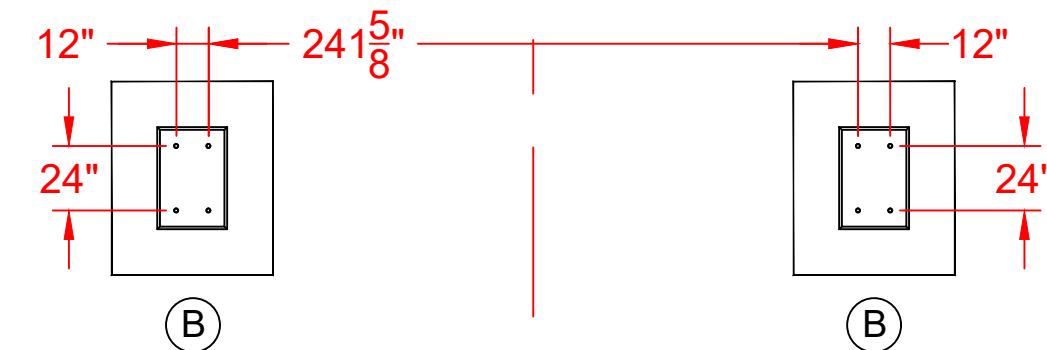
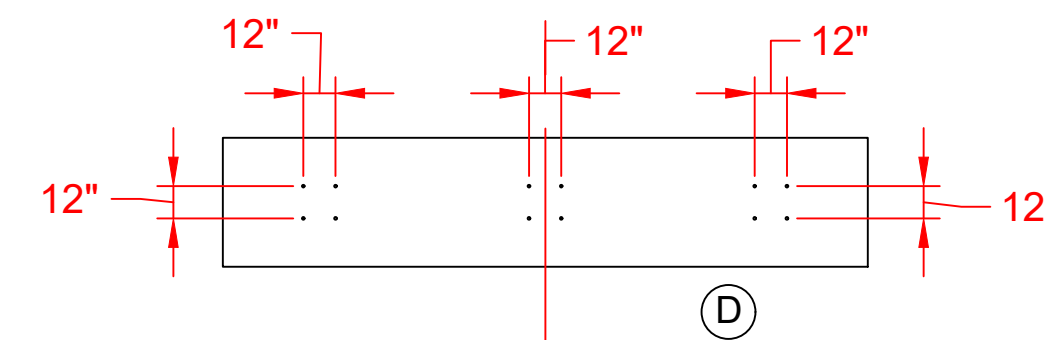
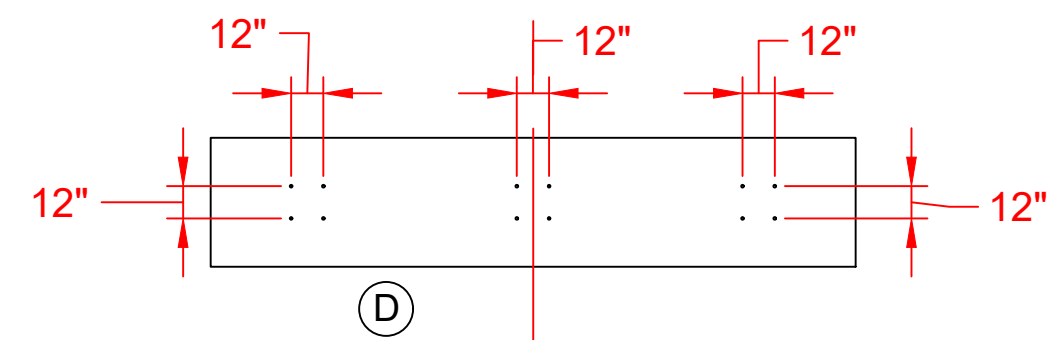
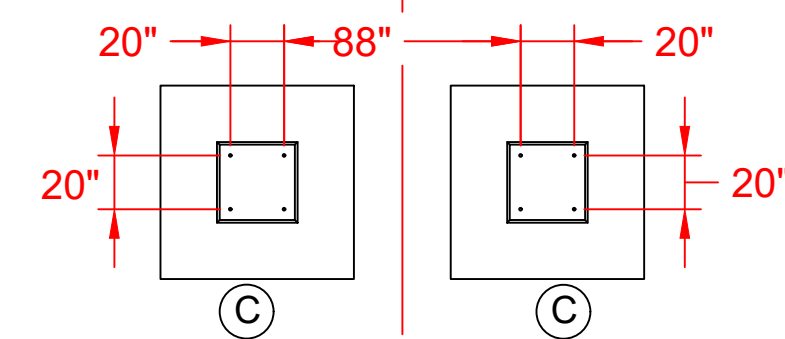
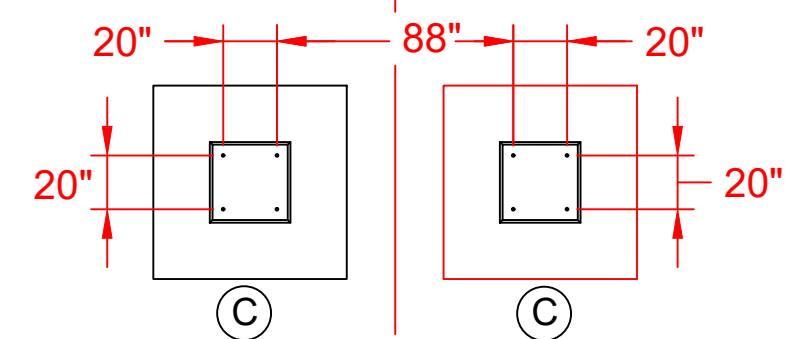
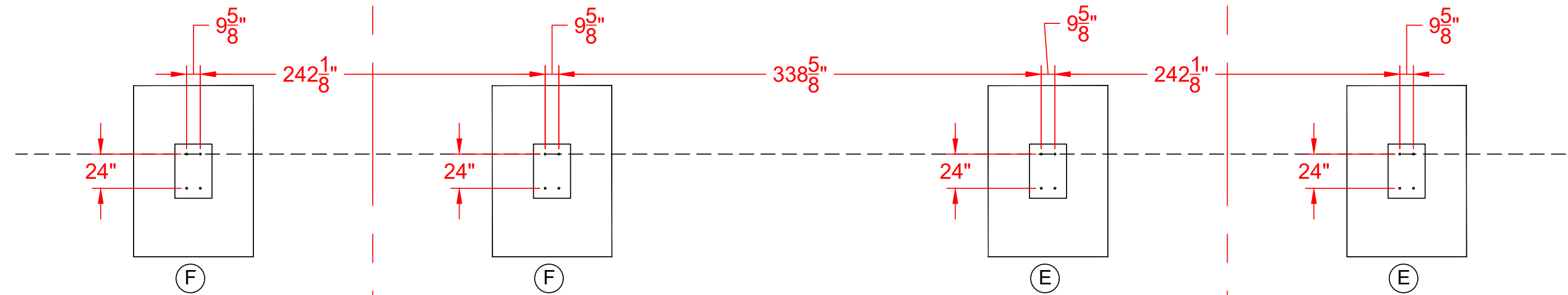
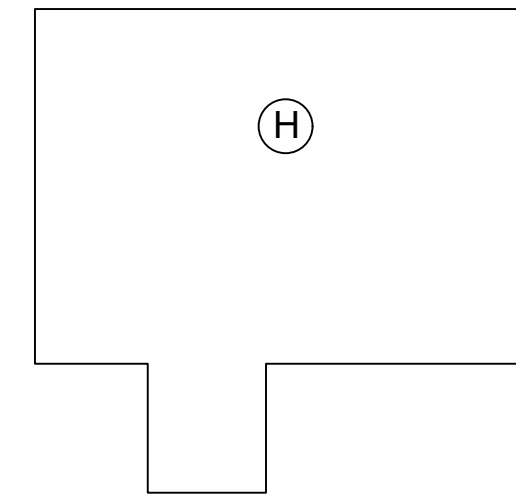
EL. 251

EL. 252

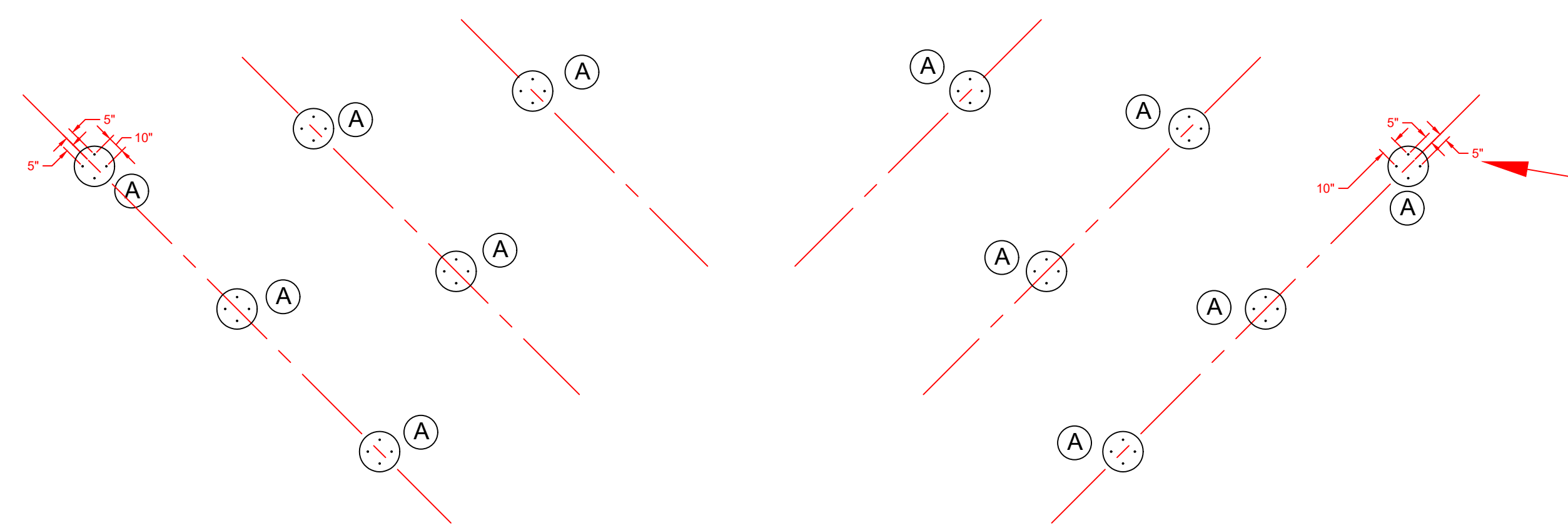


CENTERLINE WEST

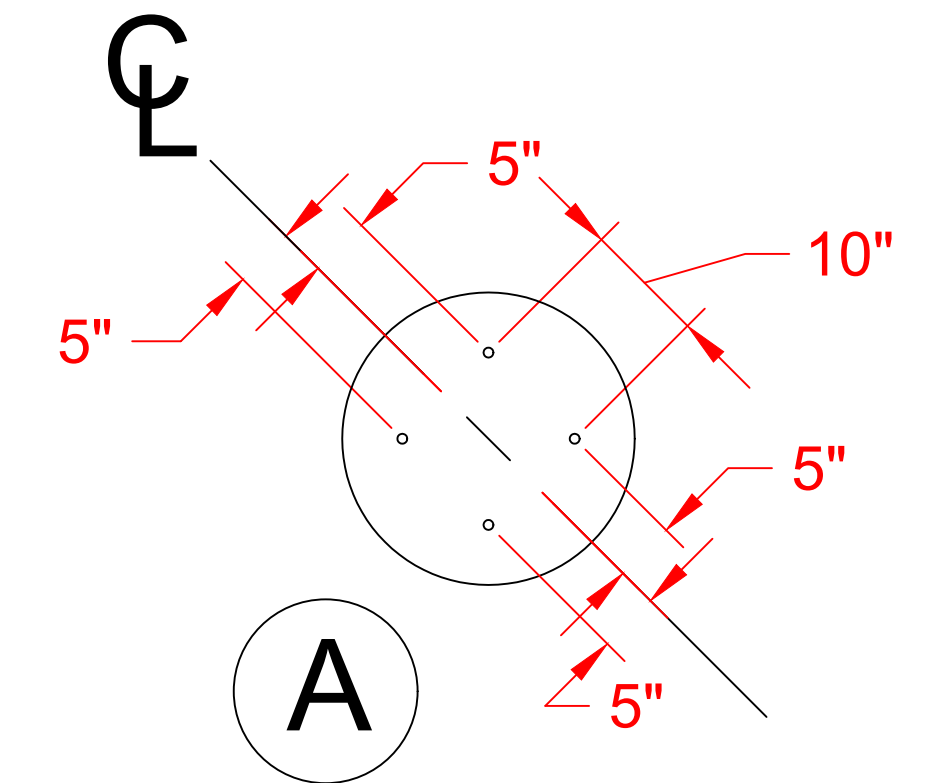
CENTERLINE EAST



THESE DIMENSIONS ARE TYPICAL OF ALL FOR STRUCTURE "A" SEE DETAIL-A



THESE DIMENSIONS ARE TYPICAL OF ALL FOR STRUCTURE "A" SEE DETAIL-A



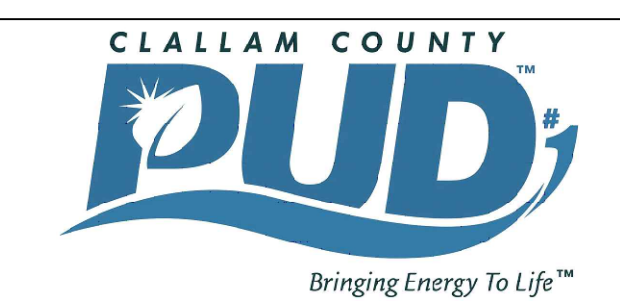
DETAIL-A

(H)
(I)

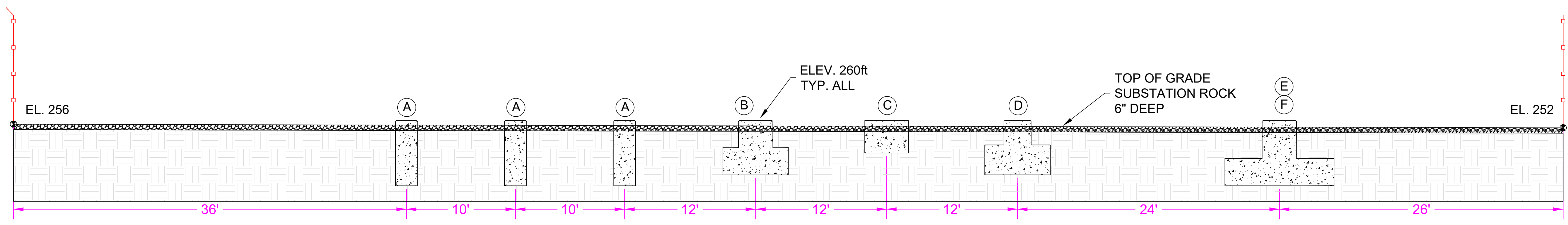
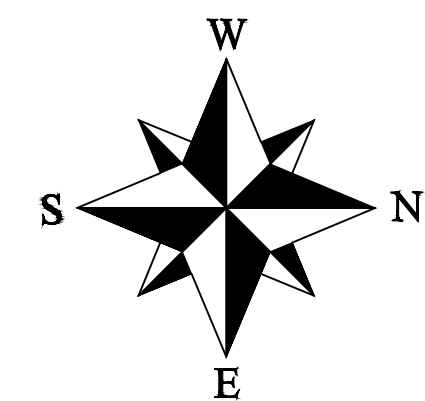
(H)
(I)

0	ISSUED FOR CONSTRUCTION	12/6/23	BENP																	
REV	REVISIONS	DATE	DRN	DSGN	CKD	APPD	REFERENCE DRAWINGS													

DSGN	BENP	7/2022
DRN	BENP	7/2022
CKD		
SCALE:	N.T.S.	



CLALLAM COUNTY PUD	JOB NUMBER	REV
LIBERTY STATION	21-2316	
FOUNDATION PLAN	DRAWING NUMBER	E4-0-2



FOUNDATION ELEVATION DETAILS

										DSGN	BENP	7/2022		CLALLAM COUNTY PUD	JOB NUMBER	REV
									DRN	BENP	7/2022	LIBERTY STATION		21-2316	△	
									CKD			SCALE: N.T.S.		FOUNDATION PLAN	DRAWING NUMBER	E4-0-3
0	ISSUED FOR CONSTRUCTION	12/6/23	BENP													
REV	REVISIONS	DATE	DRN	DSGN	CKD	APPD	REFERENCE DRAWINGS									