

DYNAMIC DOUBLE DOME PRISMATIC SKYLIGHT



Exterior Dome (A)

Interior Dome (C)

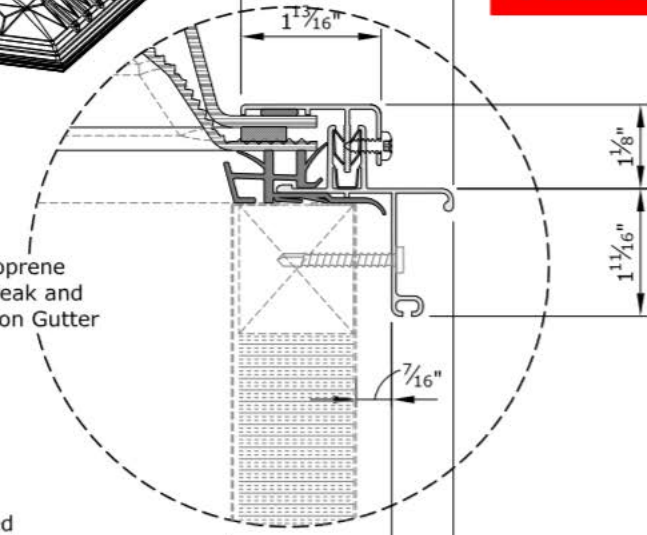
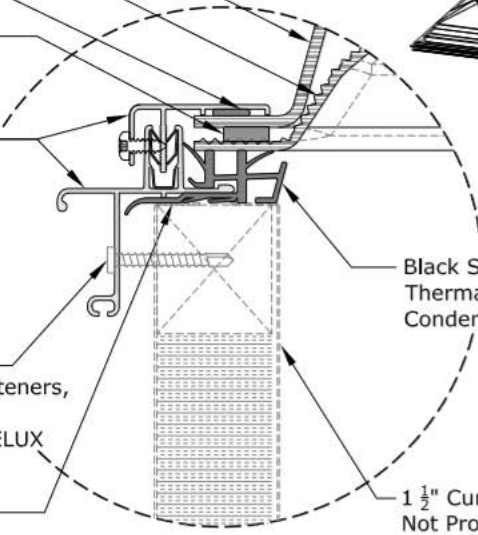
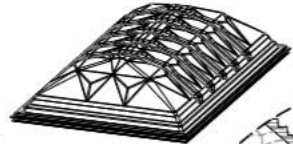
Silicone

Double Sided Foam Tape

Extruded Aluminum Frame, 6063-T5, 0.06" Typical Thickness, with Welded Corners. Frame Finish (D)

#8 x 1 3/4" Non Corrosive Fasteners, By Others or Bulk Accessory from VELUX

Condensation Weep Holes at Corners



DETAIL 1

DETAIL 2

Outside Skylight Dimensions (F)

DETAIL 1

DETAIL 2

Fits Skylight Inside Curb Dimensions (E)

Outside Curb Dimensions (H)

Maximum Skylight Clearance (G)

U-Factor: .73
SHGC: .46

EXHIBIT F