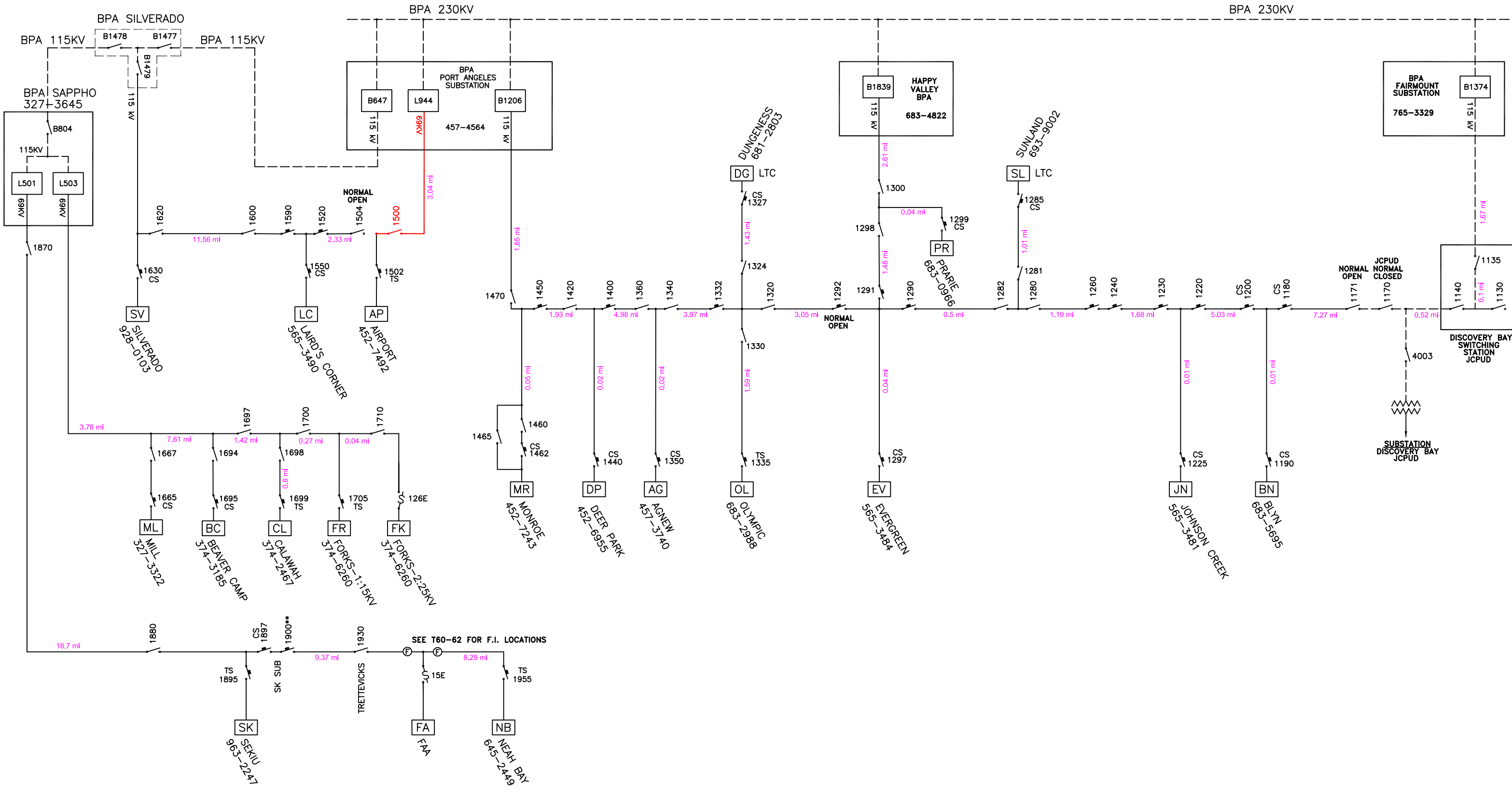
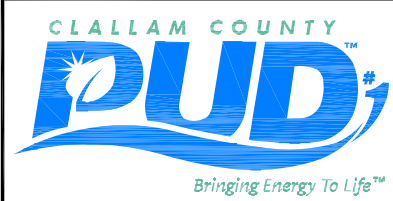


CONSTRUCTION AREA SHOWN IN RED



** DO NOT OPERATE UNDER LOAD

- LEGEND**
- FOREIGN UTILITIES
 - NORMALLY OPEN
 - NON LOAD-BREAK
 - LOAD BREAK
 - GROUND SWITCH
 - TRANSURTER
 - SWITCH
 - FAULT INDICATOR
 - OIL CIRCUIT BREAKER



PUBLIC UTILITY DISTRICT
NO. 1 OF
CLALLAM COUNTY
TRANSMISSION SWITCHES
REVISED MAY, 2020 BEN PHILLIPS